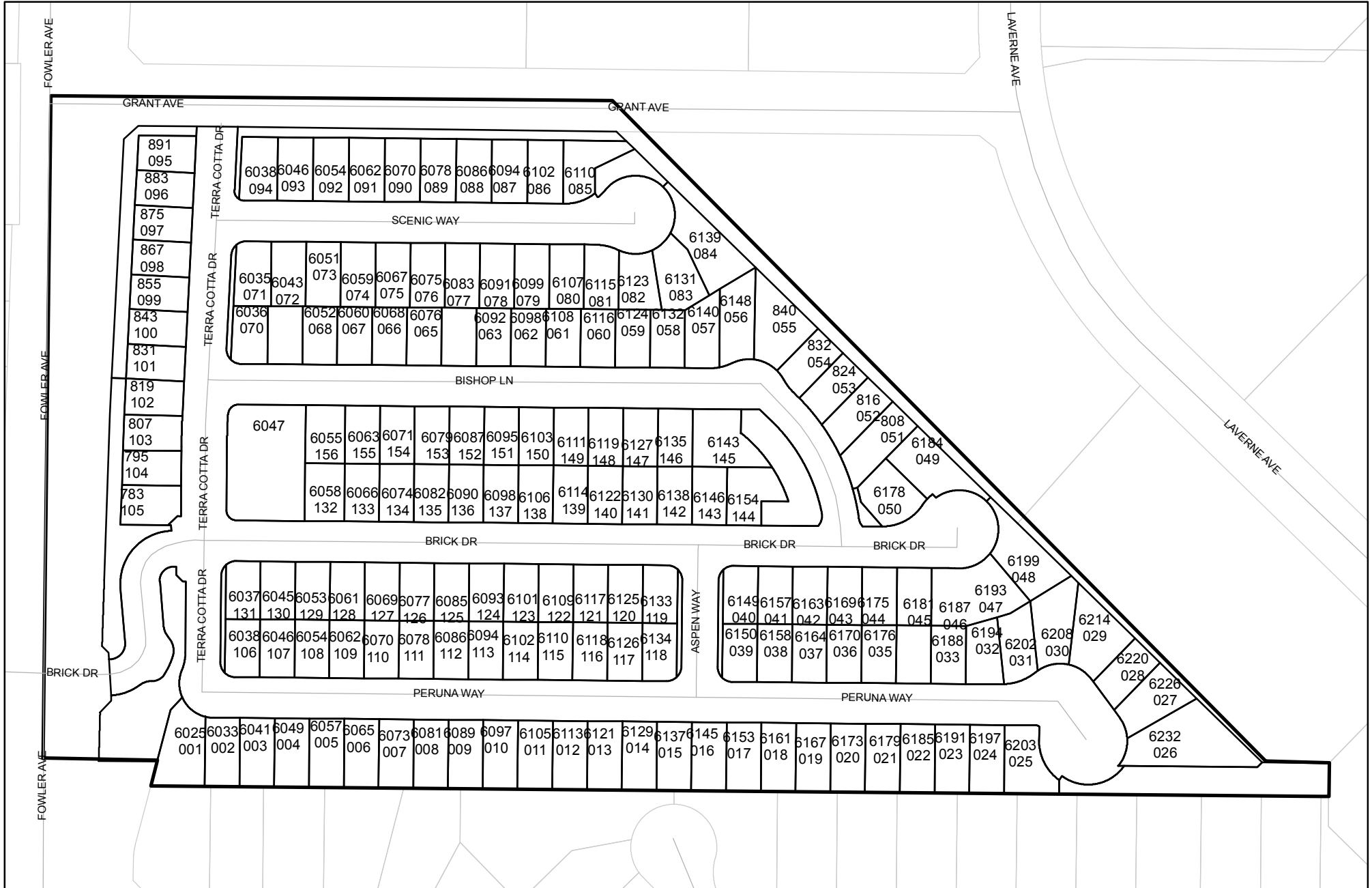




Prepared on Mon Oct 22 13:33:27 2018

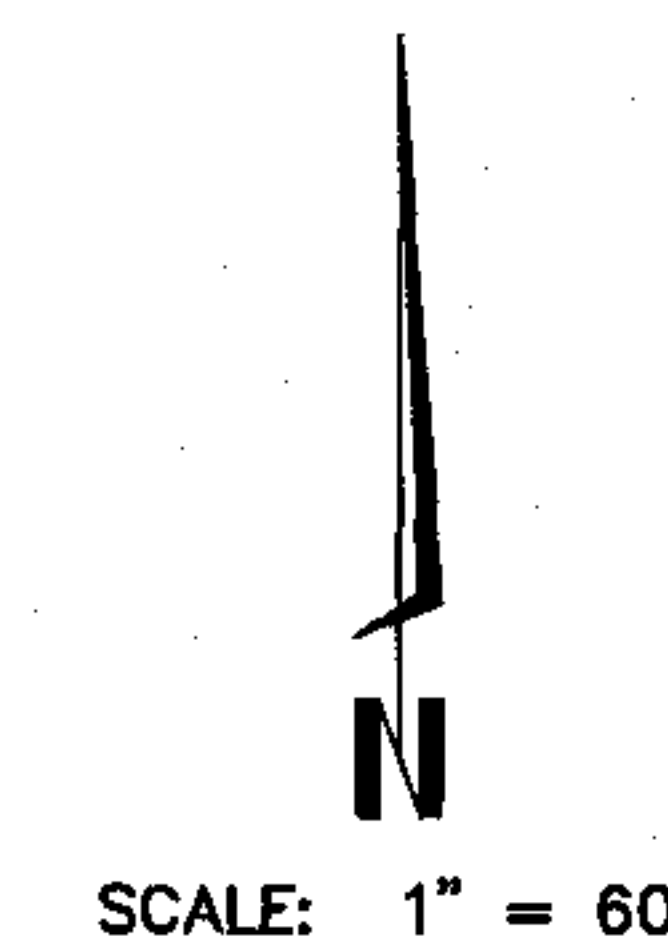
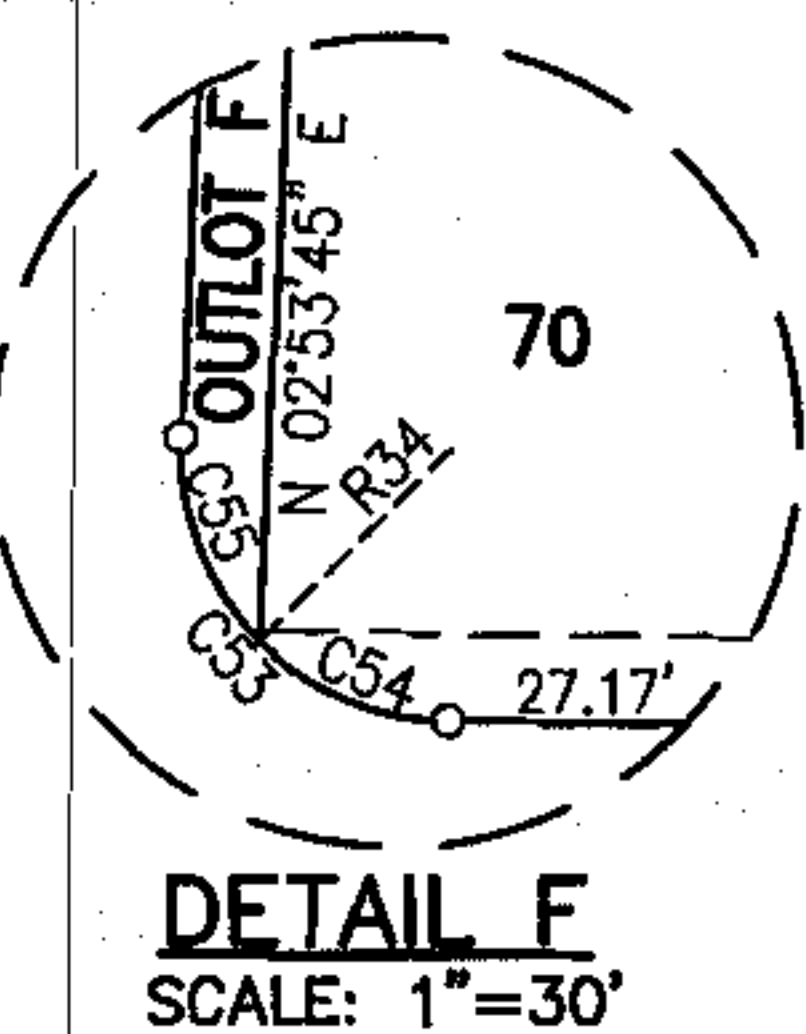
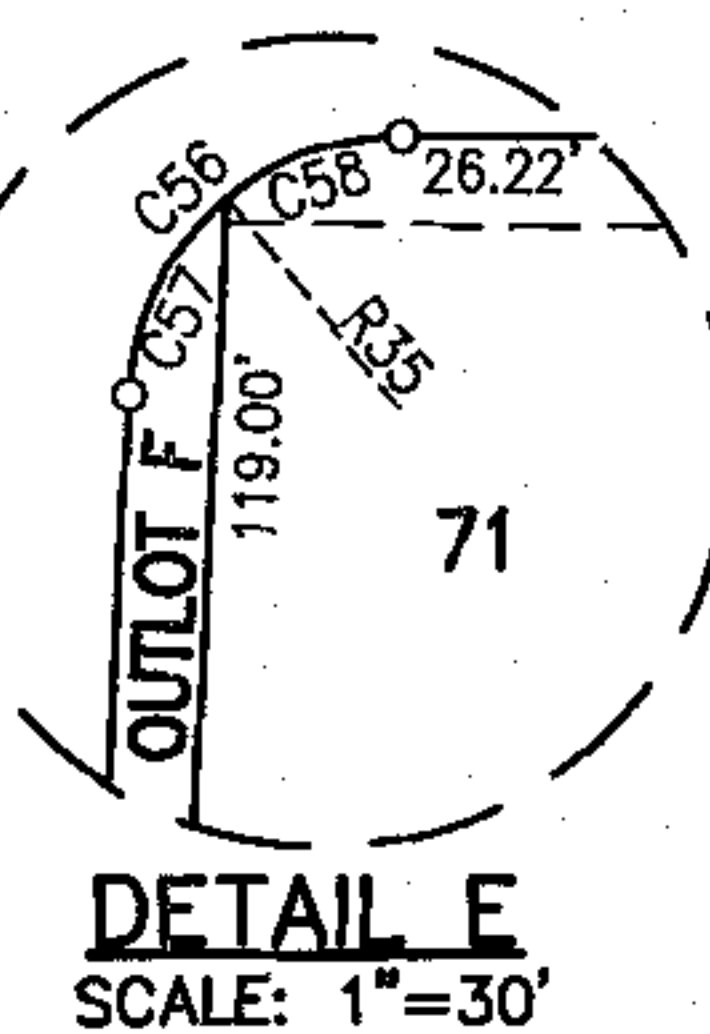
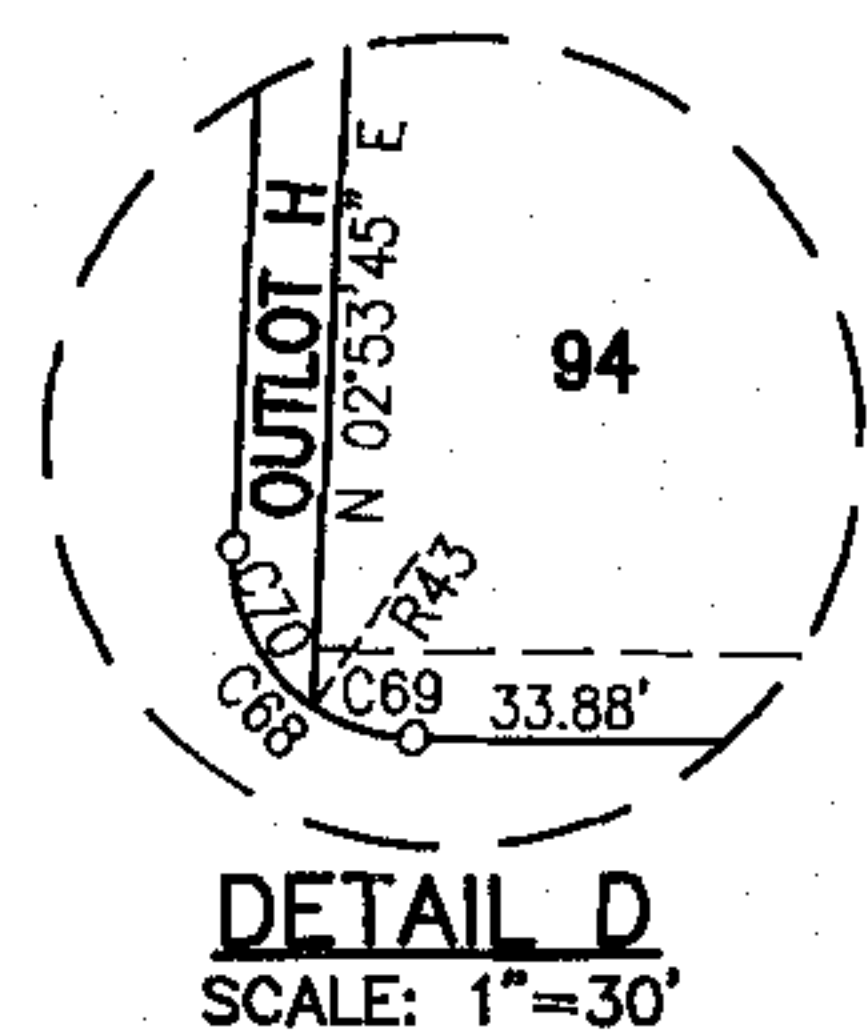
Street Names, Addresses and (Lot Numbers) for T6130



TRACT NO. 6130

A PLANNED UNIT DEVELOPMENT

BEING A RE-SUBDIVISION OF A PORTION OF THE NORTHWEST QUARTER OF SECTION 3,
TOWNSHIP 14 SOUTH, RANGE 21 EAST, MOUNT DIABLO BASE AND MERIDIAN.
IN THE CITY OF FRESNO, COUNTY OF FRESNO, STATE OF CALIFORNIA
SURVEYED AND PLATTED IN JANUARY 2017, BY BRET A. GIANNETTA
CONSISTING OF FOUR SHEETS
SHEET THREE OF FOUR SHEETS

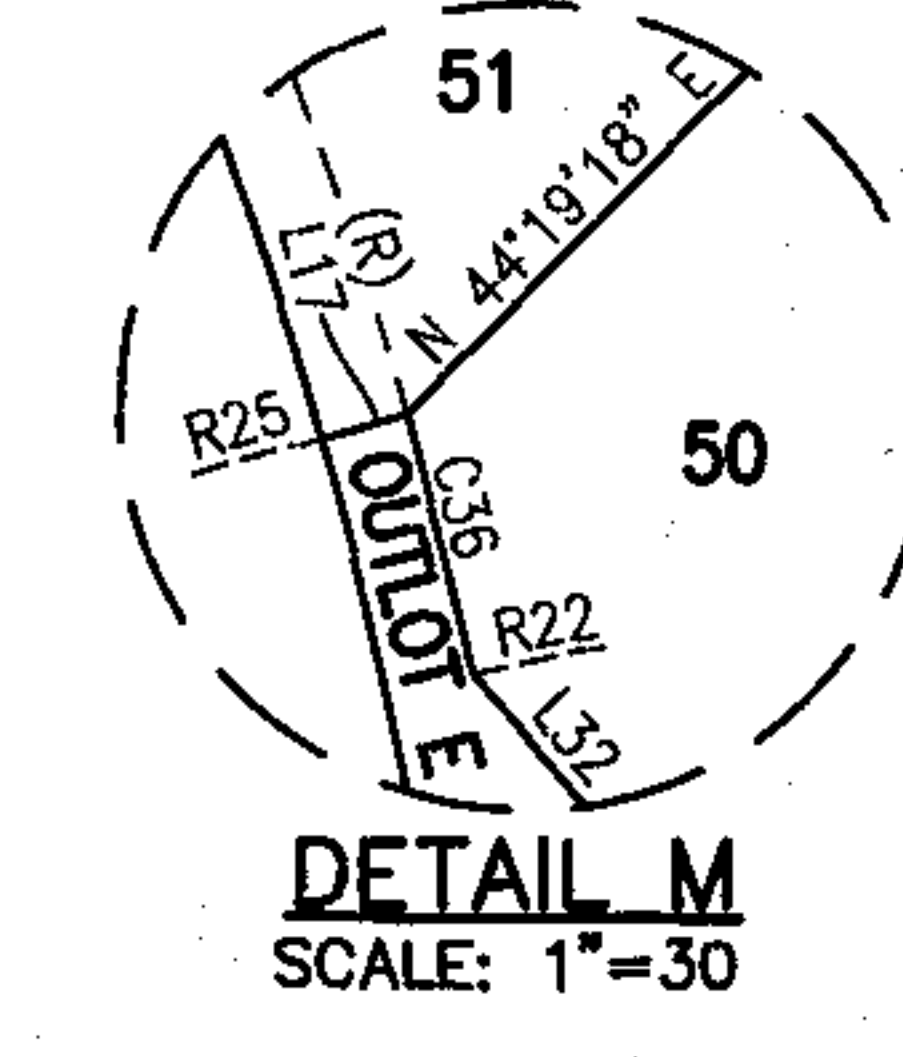
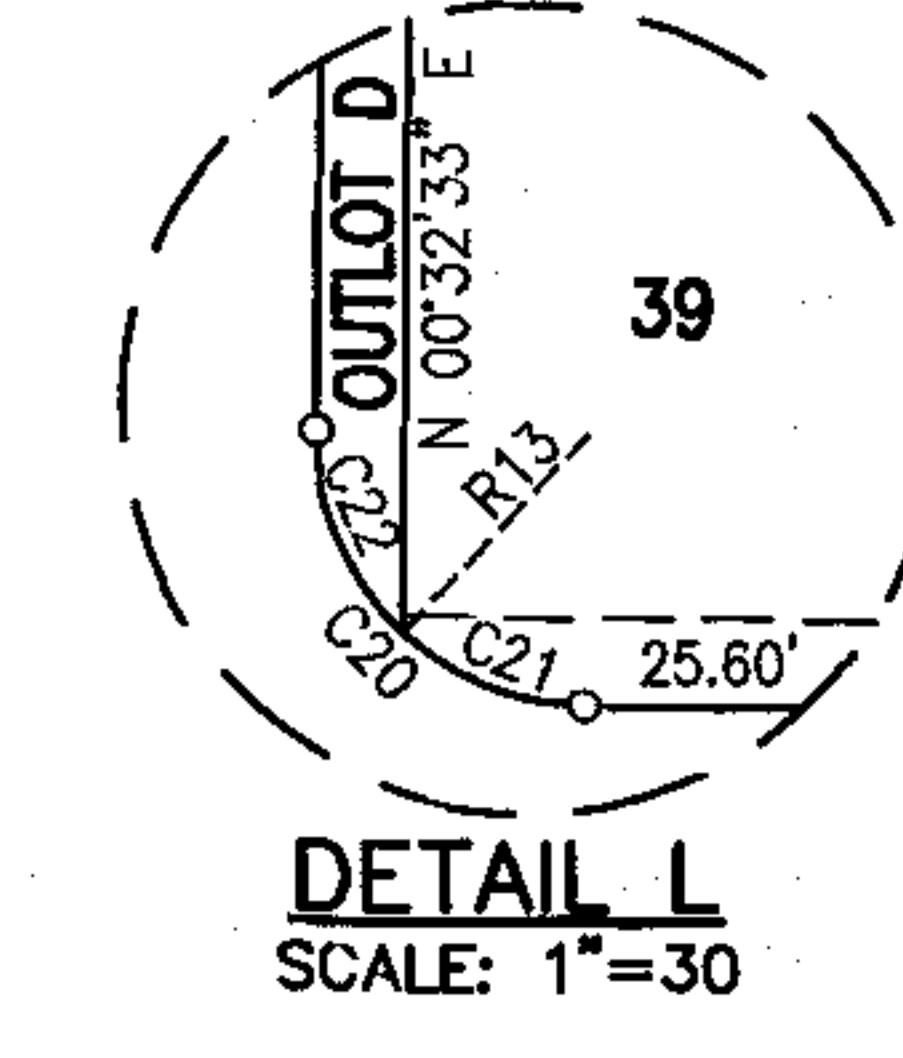
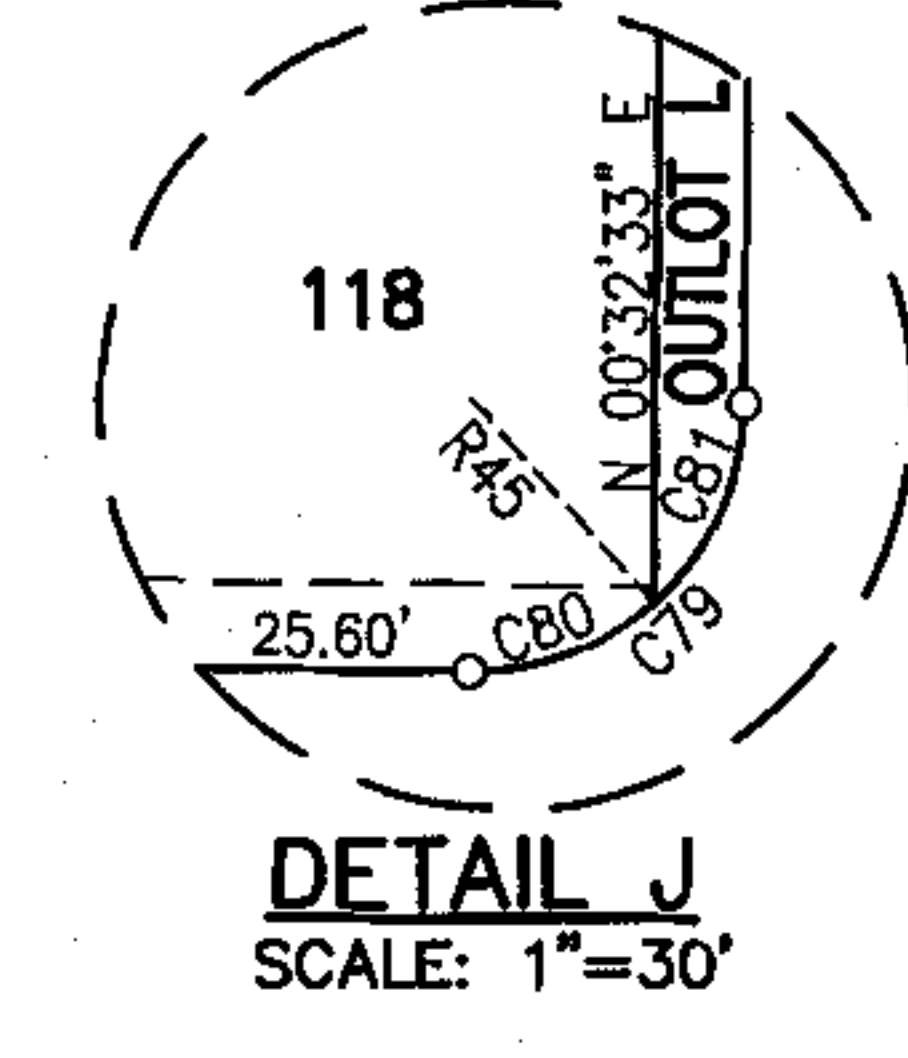
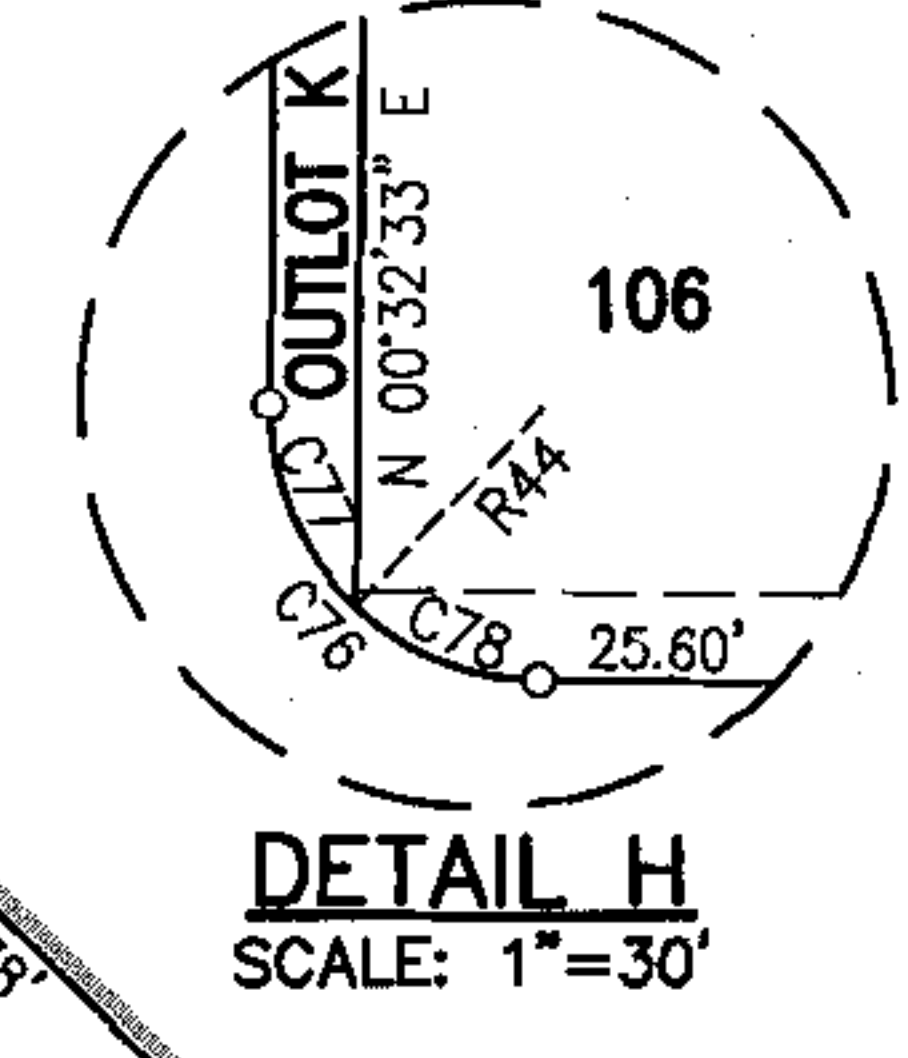
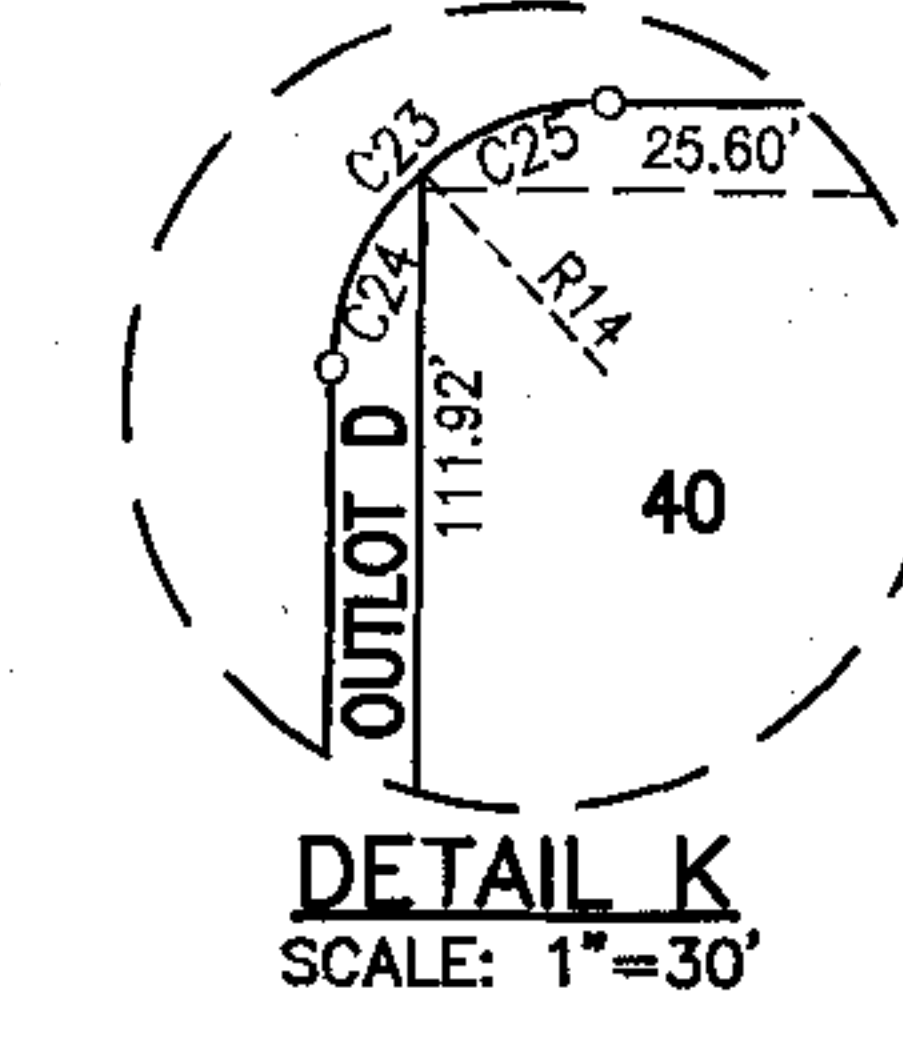
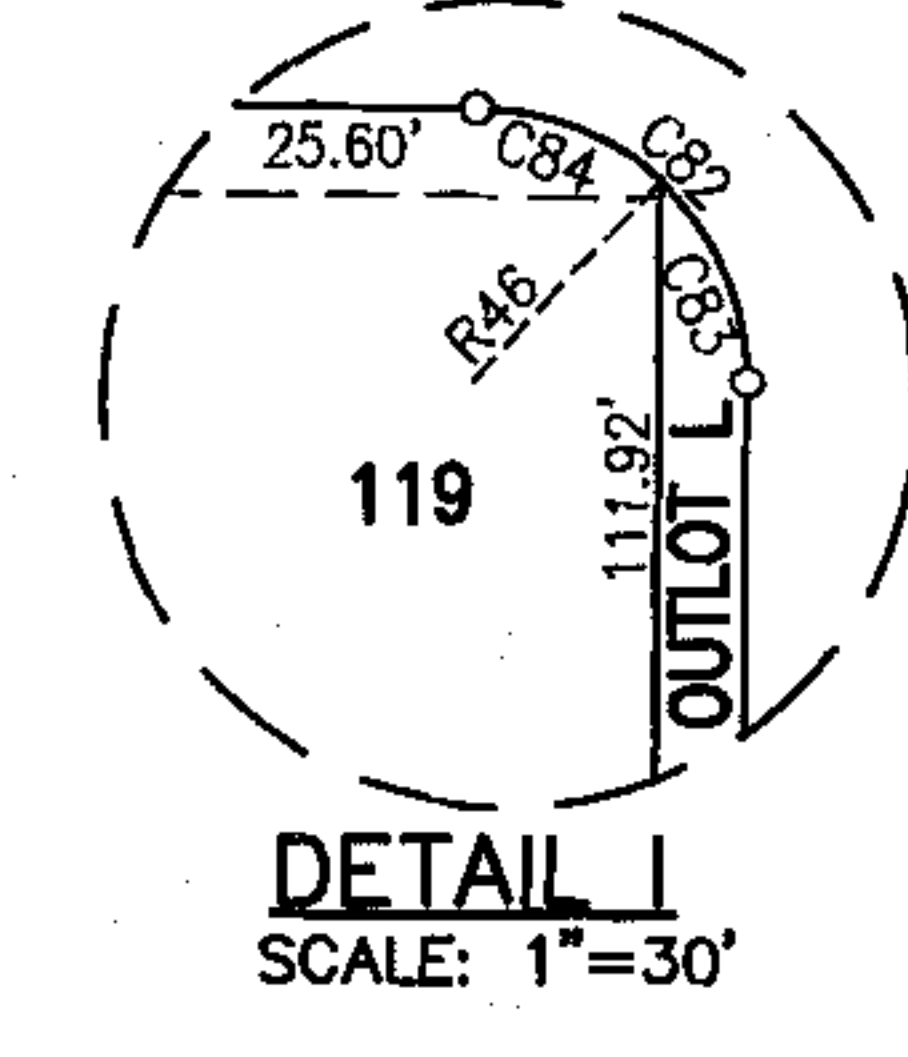
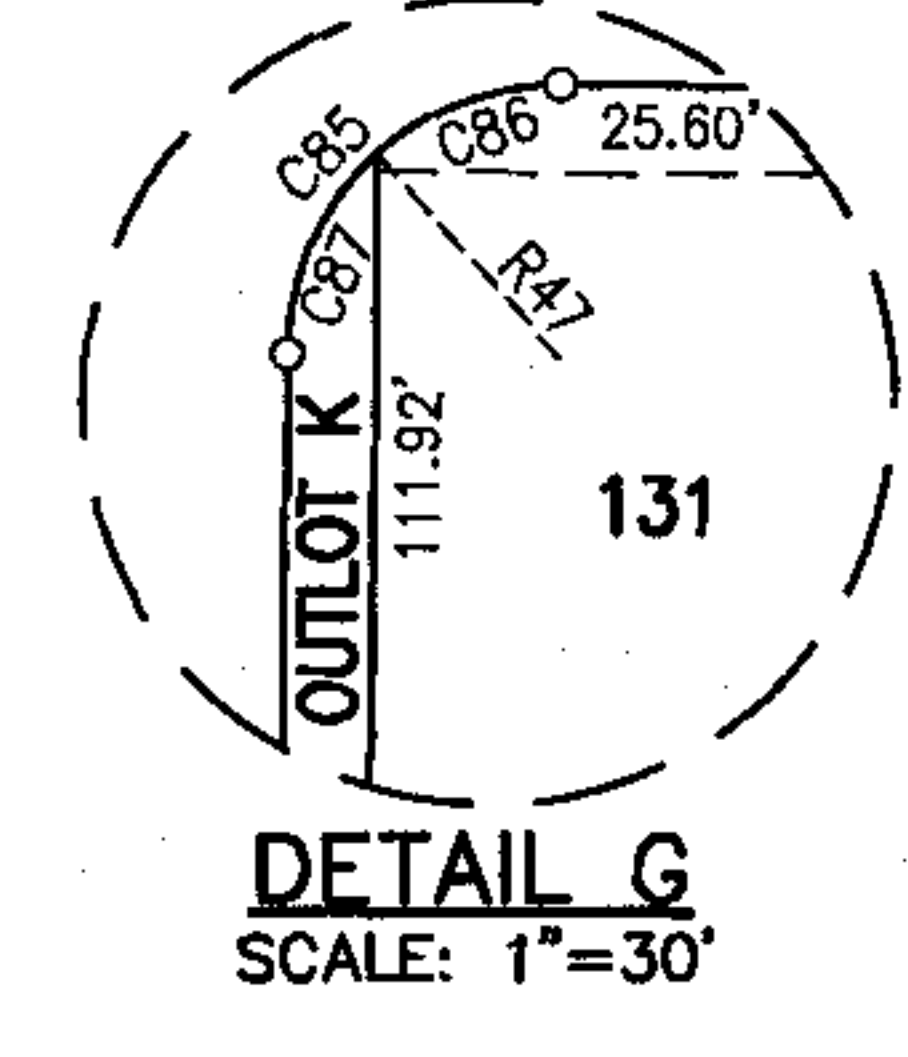
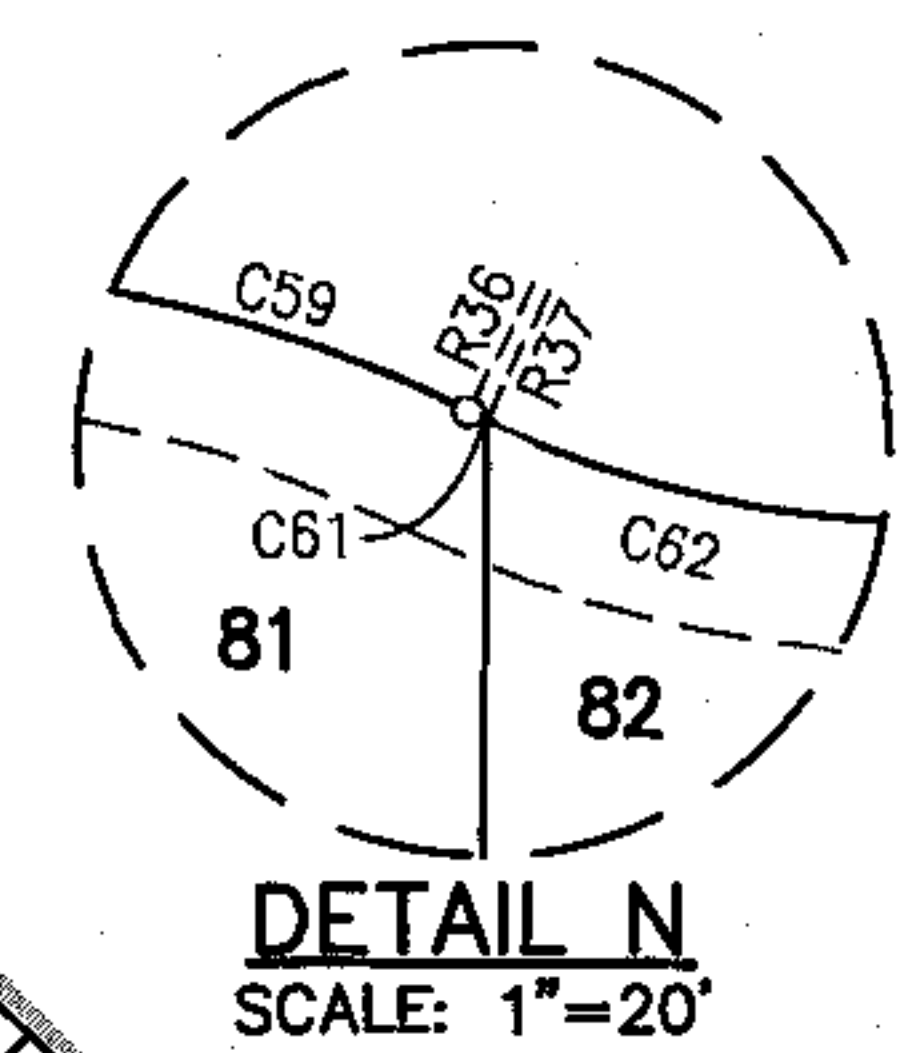
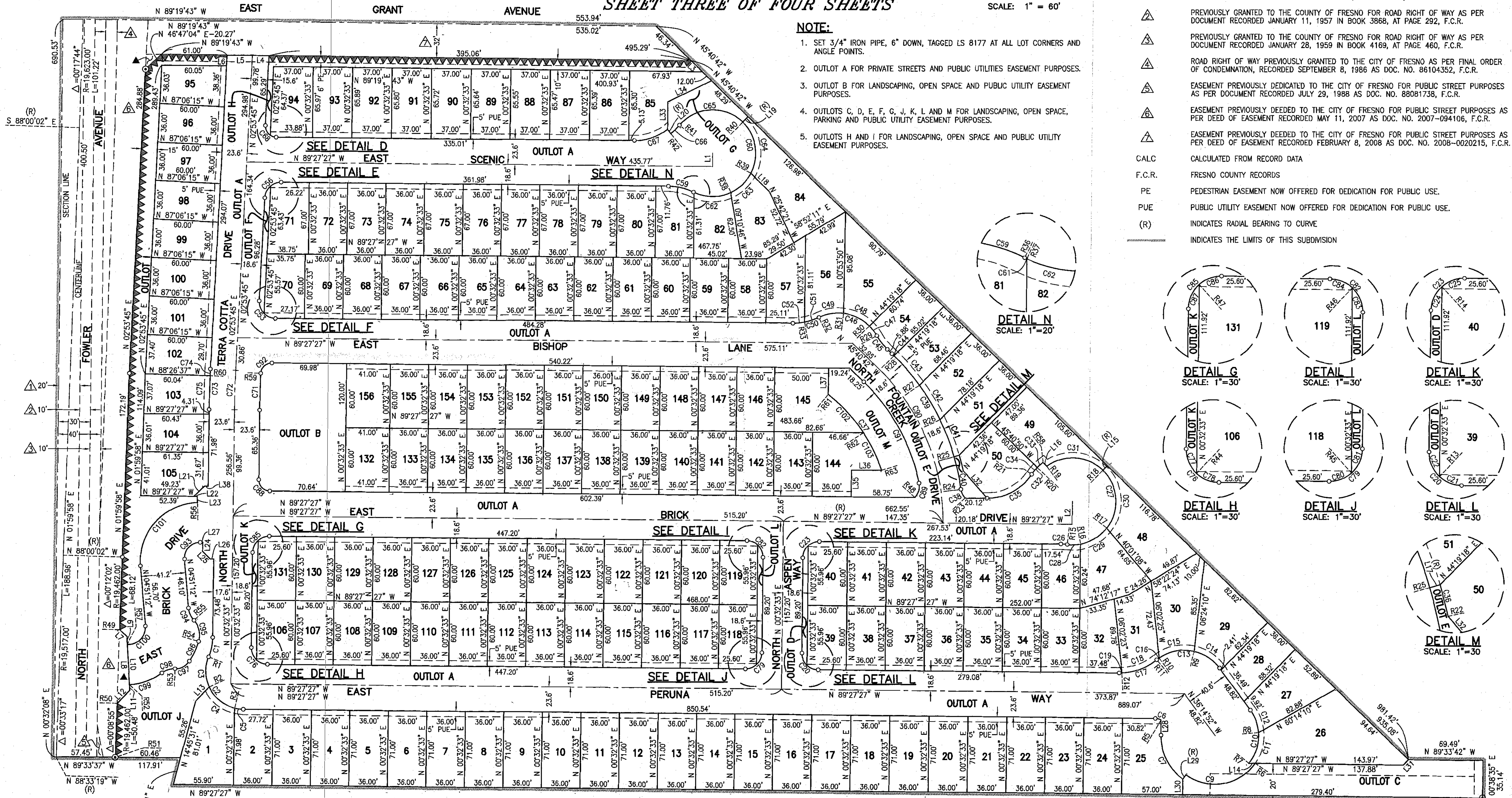


NOTE:

1. SET 3/4" IRON PIPE, 6" DOWN, TAGGED LS 8177 AT ALL LOT CORNERS AND ANGLE POINTS.
2. OUTLOT A FOR PRIVATE STREETS AND PUBLIC UTILITIES EASEMENT PURPOSES.
3. OUTLOT B FOR LANDSCAPING, OPEN SPACE AND PUBLIC UTILITY EASEMENT PURPOSES.
4. OUTLOTS C, D, E, F, G, J, K, L AND M FOR LANDSCAPING, OPEN SPACE, PARKING AND PUBLIC UTILITY EASEMENT PURPOSES.
5. OUTLOTS H AND I FOR LANDSCAPING, OPEN SPACE AND PUBLIC UTILITY EASEMENT PURPOSES.

LEGEND:

- SET 3/4" IRON PIPE, 30" LONG, 6" DOWN, TAGGED LS 8177, OR AS NOTED.
- ⊙ SET 3/4" IRON PIPE, 30" LONG, 4" UP IN 6" DIAMETER x 30" P.C.C. MONUMENT, DOWN 6" BELOW GROUND, TAGGED LS 8177.
- ▲▲▲▲ INDICATES RELINQUISHMENT OF DIRECT ACCESS RIGHTS.
- ▲ EASEMENT NOW OFFERED FOR DEDICATION FOR PUBLIC STREET PURPOSES.
- △ PREVIOUSLY GRANTED TO THE COUNTY OF FRESNO FOR ROAD RIGHT OF WAY AS PER DOCUMENT RECORDED IN BOOK 219 OF DEEDS, AT PAGE 183, F.C.R.
- △ PREVIOUSLY GRANTED TO THE COUNTY OF FRESNO FOR ROAD RIGHT OF WAY AS PER DOCUMENT RECORDED JANUARY 11, 1957 IN BOOK 3866, AT PAGE 292, F.C.R.
- △ PREVIOUSLY GRANTED TO THE COUNTY OF FRESNO FOR ROAD RIGHT OF WAY AS PER DOCUMENT RECORDED JANUARY 28, 1959 IN BOOK 4169, AT PAGE 460, F.C.R.
- △ ROAD RIGHT OF WAY PREVIOUSLY GRANTED TO THE CITY OF FRESNO AS PER FINAL ORDER OF CONDEMNATION, RECORDED SEPTEMBER 8, 1986 AS DOC. NO. 86104352, F.C.R.
- △ EASEMENT PREVIOUSLY DEDICATED TO THE CITY OF FRESNO FOR PUBLIC STREET PURPOSES AS PER DOCUMENT RECORDED JULY 29, 1988 AS DOC. NO. 88081738, F.C.R.
- △ EASEMENT PREVIOUSLY DEEDED TO THE CITY OF FRESNO FOR PUBLIC STREET PURPOSES AS PER DEED OF EASEMENT RECORDED MAY 11, 2007 AS DOC. NO. 2007-094106, F.C.R.
- △ EASEMENT PREVIOUSLY DEEDED TO THE CITY OF FRESNO FOR PUBLIC STREET PURPOSES AS PER DEED OF EASEMENT RECORDED FEBRUARY 8, 2008 AS DOC. NO. 2008-0020215, F.C.R.
- CALC CALCULATED FROM RECORD DATA
- F.C.R. FRESNO COUNTY RECORDS
- PE PEDESTRIAN EASEMENT NOW OFFERED FOR DEDICATION FOR PUBLIC USE.
- PUE PUBLIC UTILITY EASEMENT NOW OFFERED FOR DEDICATION FOR PUBLIC USE.
- (R) INDICATES RADIAL BEARING TO CURVE
- INDICATES THE LIMITS OF THIS SUBDIVISION



FRESNO METROPOLITAN FLOOD CONTROL DISTRICT PIPELINE EASEMENT, RECORDED OCTOBER 27, 1986 AS DOC. NO. 86125809, F.C.R.
FRESNO METROPOLITAN FLOOD CONTROL DISTRICT PIPELINE EASEMENT, RECORDED OCTOBER 23, 2008 AS DOC. NO. 2008-0150054, F.C.R.