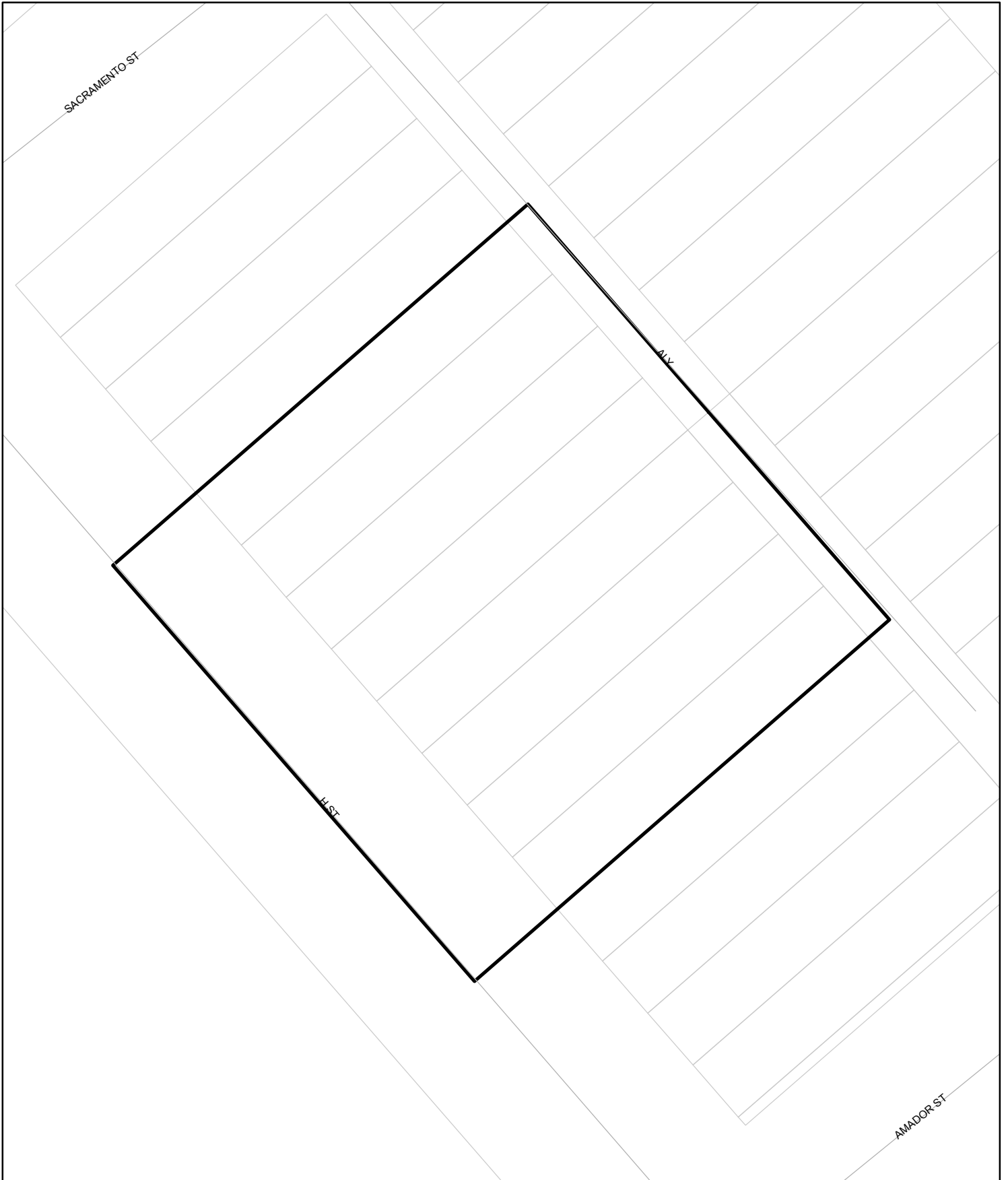




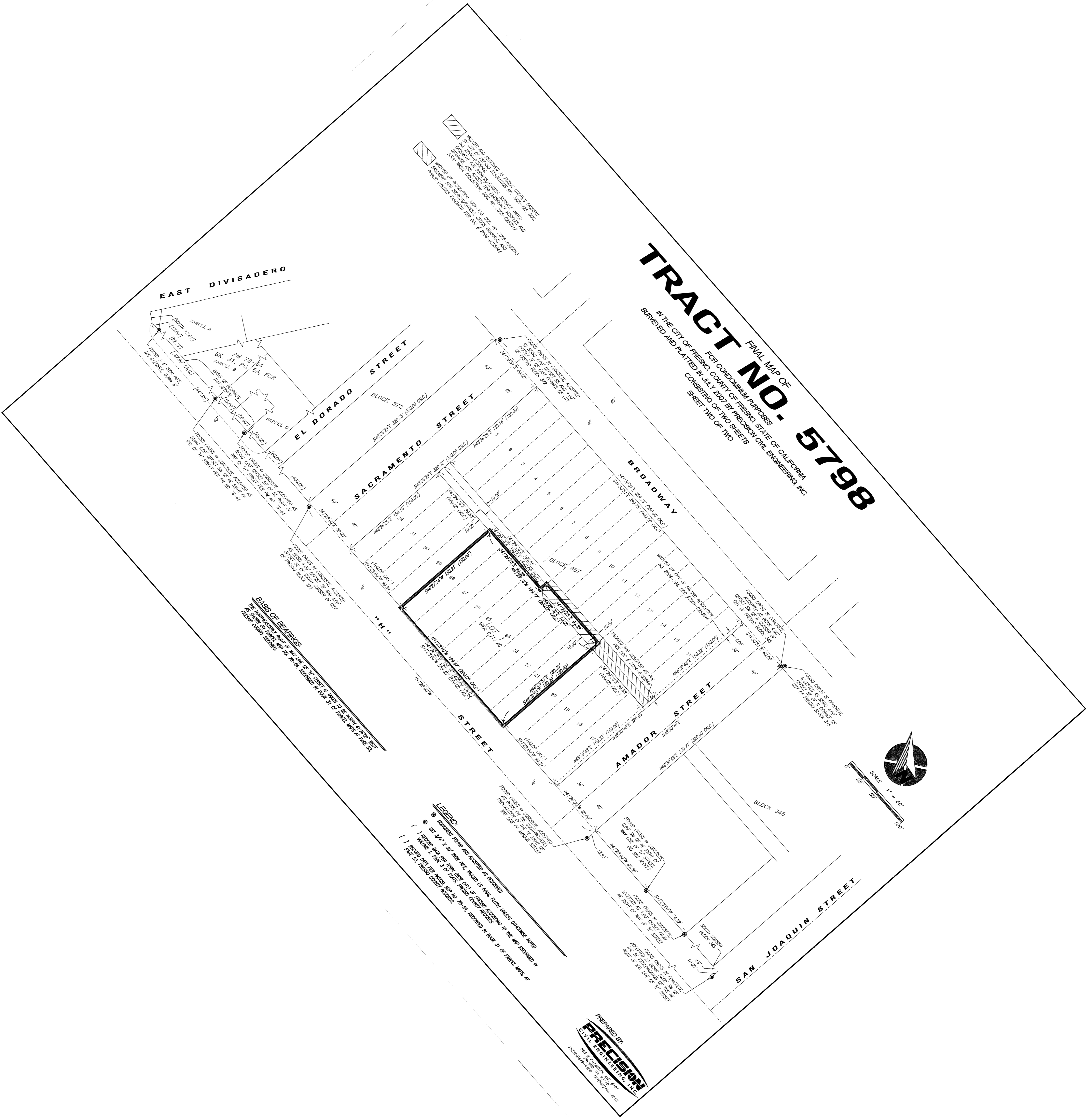
# Street Names, Addresses and (Lot Numbers) for T5798


Prepared on Mon Oct 22 13:54:28 2018




# TRACT NO. 5798

FINAL MAP OF  
 FOR CONDOMINIUM PURPOSES  
 IN THE CITY OF FRESNO, COUNTY OF FRESNO, STATE OF CALIFORNIA  
 SURVEYED AND PLATTED IN JULY 2007 BY PRECISION CIVIL ENGINEERING, INC.  
 CONSISTING OF TWO SHEETS  
 SHEET TWO OF TWO




 WOOD AND BRUSH TO BE REMOVED WITHIN 90 DAYS OF THE DATE OF THIS MAP. THE CONTRACTOR SHALL BE RESPONSIBLE FOR THE REMOVAL OF ALL WOOD AND BRUSH FROM THE TRACT. THE CONTRACTOR SHALL BE RESPONSIBLE FOR THE REMOVAL OF ALL WOOD AND BRUSH FROM THE TRACT. THE CONTRACTOR SHALL BE RESPONSIBLE FOR THE REMOVAL OF ALL WOOD AND BRUSH FROM THE TRACT.


 WOOD AND BRUSH TO BE REMOVED WITHIN 90 DAYS OF THE DATE OF THIS MAP. THE CONTRACTOR SHALL BE RESPONSIBLE FOR THE REMOVAL OF ALL WOOD AND BRUSH FROM THE TRACT. THE CONTRACTOR SHALL BE RESPONSIBLE FOR THE REMOVAL OF ALL WOOD AND BRUSH FROM THE TRACT. THE CONTRACTOR SHALL BE RESPONSIBLE FOR THE REMOVAL OF ALL WOOD AND BRUSH FROM THE TRACT.

EAST DIVISADERO

EL DORADO STREET

SACRAMENTO STREET

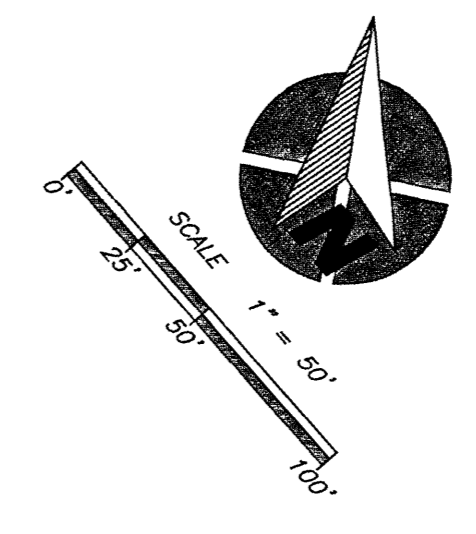
BROADWAY

AMADOR STREET

SAN JOAQUIN STREET

**BASES OF BEARINGS**  
 THE BEARINGS AND DISTANCES OF THE LINES OF THIS MAP ARE AS SHOWN ON THE ORIGINAL SURVEY OF THE TRACT, AS RECORDED IN BOOK 11, PAGE 11, OF THE PUBLIC RECORDS OF THE COUNTY OF FRESNO, CALIFORNIA.

**LEGEND**  
 ● INTERSECTION POINT NOT ACCURATELY LOCATED  
 ○ SET BY 1/4" x 3/8" IRON PIPES, 15" LONG, 1/2" DIA. UNLESS OTHERWISE NOTED  
 ( ) INTERSECTION POINT NOT ACCURATELY LOCATED  
 [ ] INTERSECTION POINT NOT ACCURATELY LOCATED



PREPARED BY  
**PRECISION CIVIL ENGINEERING, INC.**  
 1000 J STREET, SUITE 200  
 FRESNO, CALIFORNIA 93721