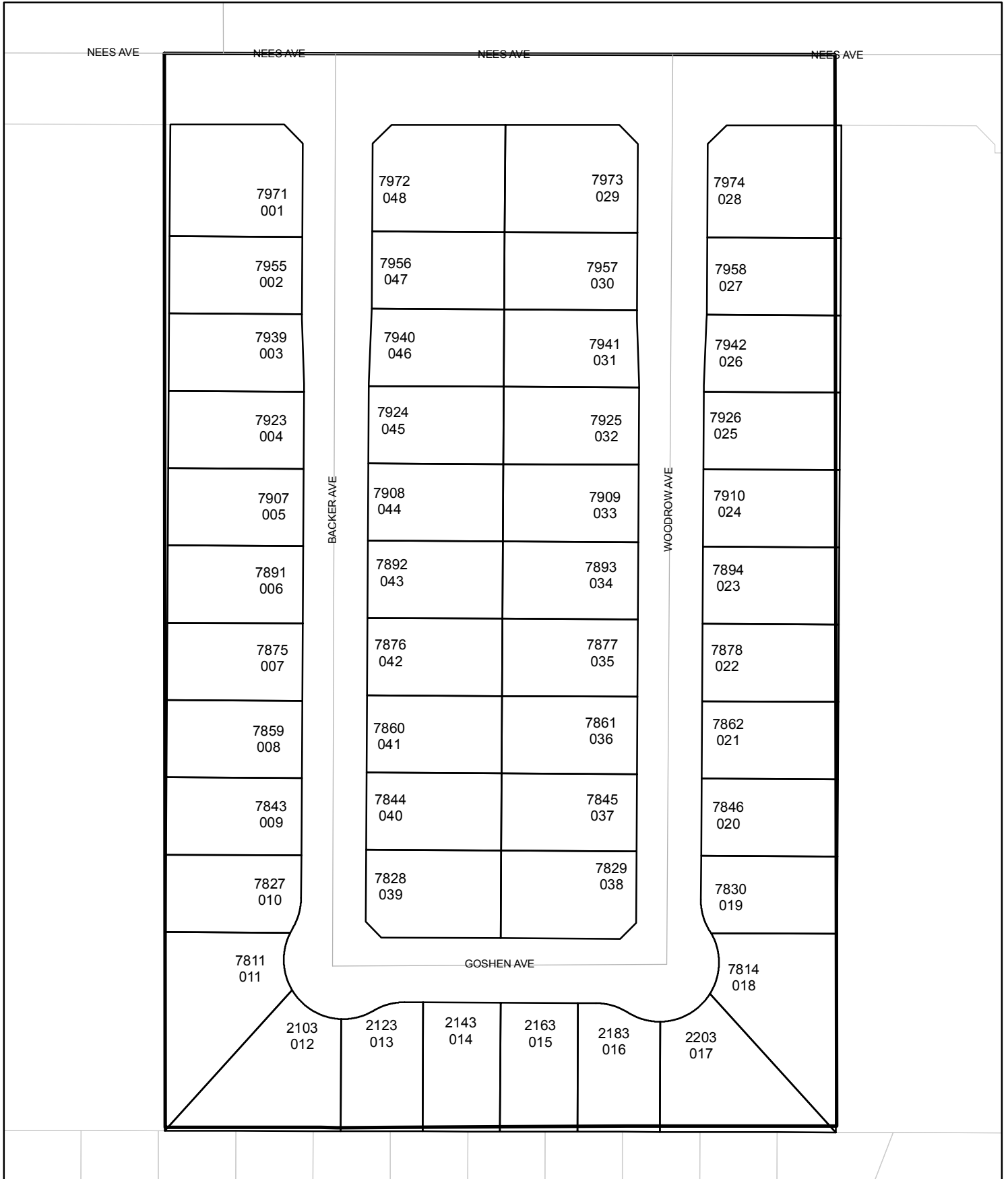




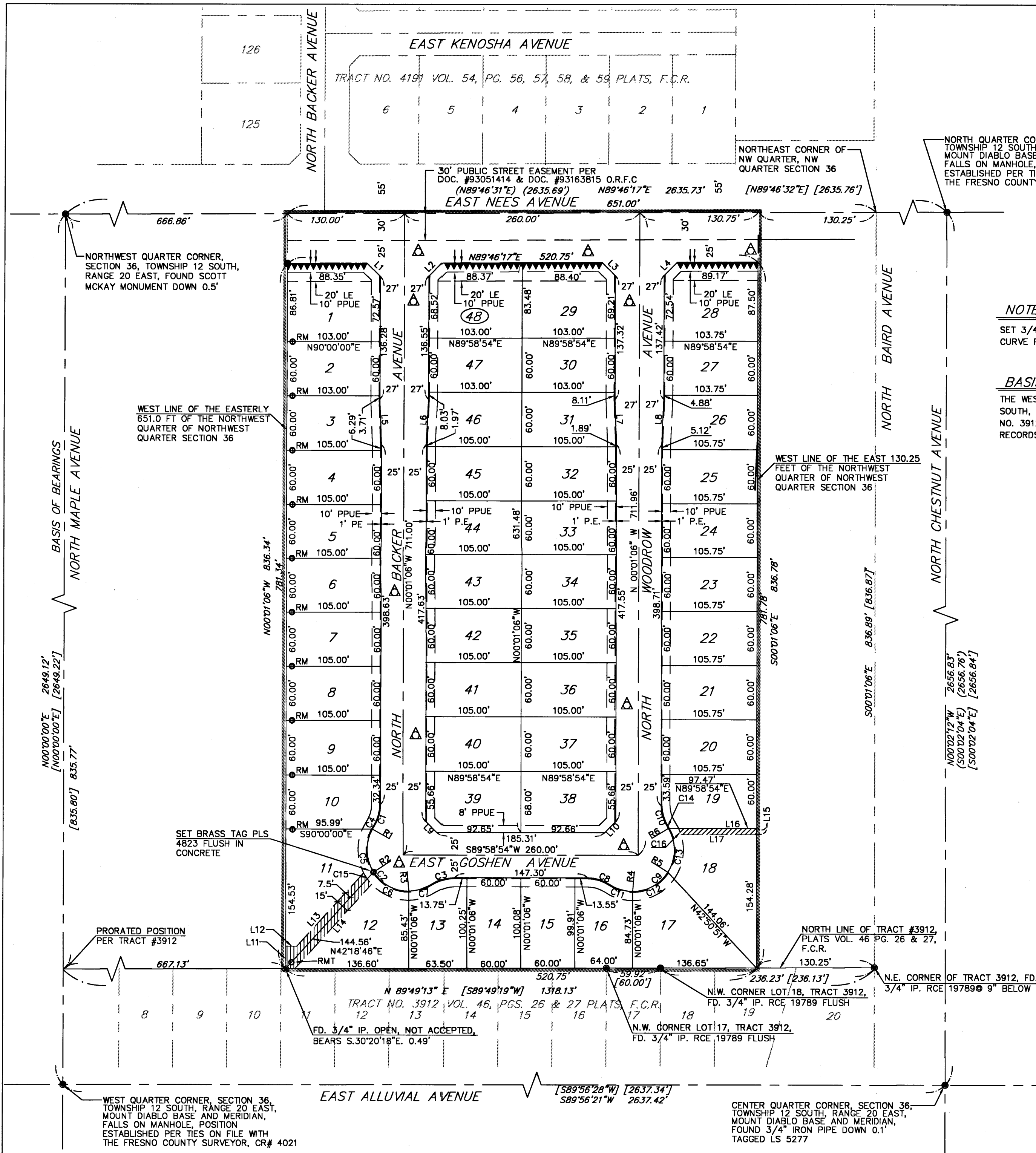
# Street Names, Addresses and (Lot Numbers) for T5173

Prepared on Thu Nov 16 22:44:02 2017



# MAP OF TRACT NO. 5173

CONSISTING OF TWO SHEETS  
SHEET 2 OF 2 SHEETS  
IN THE CITY OF FRESNO, COUNTY OF FRESNO, STATE OF CALIFORNIA  
PLATTED IN FEBRUARY 2004 BY PRECISION CIVIL ENGINEERING



**NOTE**  
SET 3/4" x 30" IRON PIPE DOWN 6" TAGGED PLS 4823 FOR ALL CORNERS, CURVE POINTS, AND CORNER CUTOFFS, EXCEPT AS NOTED.

**BASIS OF BEARINGS**  
THE WEST LINE OF THE NORTHWEST QUARTER OF SECTION 36, TOWNSHIP 12 SOUTH, RANGE 20 EAST, MOUNT DIABLO BASE AND MERIDIAN, PER TRACT NO. 3912, FILED IN VOLUME 46 OF PLATS, PAGES 26-27, FRESNO COUNTY RECORDS, TAKEN AS N.00°00'00"E.

**LEGEND**

- EXISTING MONUMENT FOUND AND EXCEPTED OR AS NOTED
- (...) RECORD DATA PER TRACT NO. 4581 RECORDED IN VOLUME 55, PAGES 90 AND 91 OF PLATS, FRESNO COUNTY RECORDS.
- [...] RECORD DATA PER TRACT NO. 3912 RECORDED IN VOLUME 46, PAGES 26 AND 27 OF PLATS, FRESNO COUNTY RECORDS.
- △ INDICATES PORTIONS NOW OFFERED FOR DEDICATION FOR STREET PURPOSES
- LE LANDSCAPE EASEMENT NOW OFFERED FOR DEDICATION FOR PUBLIC USE
- PPUE PLANTING & PUBLIC UTILITY EASEMENT NOW OFFERED FOR DEDICATION FOR PUBLIC USE
- PE PEDESTRIAN EASEMENT NOW OFFERED DEDICATION FOR PUBLIC USE
- ▼ INDICATES RELINQUISHMENT OF DIRECT VEHICULAR ACCESS RIGHTS
- ▨ INDICATES EASEMENT GRANTED TO FRESNO METROPOLITAN FLOOD CONTROL DISTRICT PER THE DEED RECORDED AS DOCUMENT NO. 20040070812, O.R.F.C.
- LIMITS OF SUBDIVISION
- DURABLE MONUMENT 3/4"x30" I.P. SET IN 6"x30" P.C.C. ENCASEMENT, DOWN 6" TAGGED PLS 4823
- RM REFERENCE MONUMENT 3/4"x30" I.P. TAGGED PLS 4823 AT 3.00 FEET FROM TRUE LOT CORNER
- RMT REFERENCE MONUMENT SET BRASS TAG PLS 4823 FLUSH IN CONCRETE AT 3.00 FEET FROM TRUE LOT CORNER

**LINE TABLE**

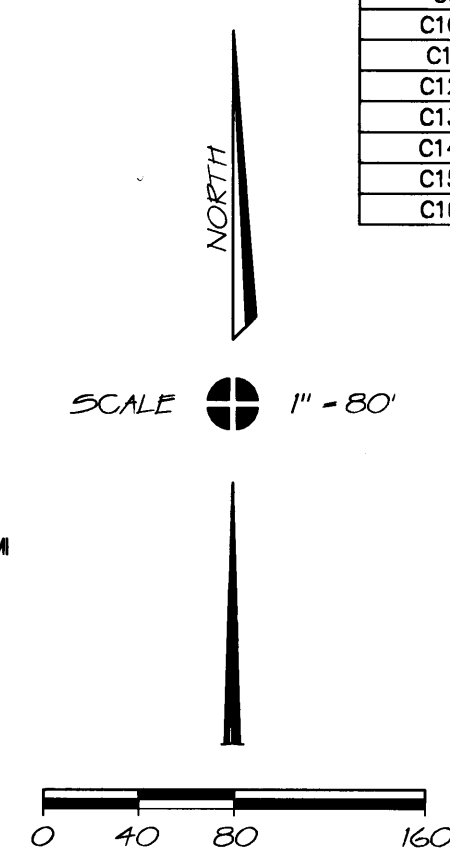
LINE	LENGTH	BEARING
L1	20.68	N45°07'41"W
L2	20.68	N44°52'35"E
L3	20.68	S45°07'25"E
L4	20.66	N44°52'35"E
L5	50.04	S02°18'32"E
L6	50.04	S02°16'20"W
L7	50.04	S02°18'32"E
L8	50.04	S02°16'20"W
L9	17.46	N45°01'06"W
L10	17.46	N44°58'54"E
L11	25.00	N00°01'06"W
L12	12.66	N89°49'13"E
L13	109.42	S42°18'46"W
L14	126.32	N42°18'46"E
L15	7.00	N00°01'06"W
L16	97.47	S89°58'54"W
L17	83.37	N89°58'54"E

**CURVE TABLE**

CURVE	LENGTH	RADIUS	CHORD	DELTA
C1	26.64	46.00	26.27	33°10'48"
C2	122.62	46.00	89.41	152°44'08"
C3	26.64	46.00	26.27	33°10'48"
C4	2.91	46.00	2.91	3°37'27"
C5	50.09	46.00	47.65	62°23'20"
C6	46.49	46.00	44.54	57°54'42"
C7	26.04	46.00	25.69	32°26'06"
C8	26.64	46.00	26.27	33°10'48"
C9	124.07	46.00	89.74	154°32'14"
C10	26.64	46.00	26.27	33°10'48"
C11	26.74	46.00	26.36	33°18'19"
C12	46.10	46.00	44.19	57°24'51"
C13	51.24	46.00	48.63	63°49'03"
C14	1.46	46.00	1.46	1°49'21"
C15	15.40	56.00	15.35	15°45'27"
C16	7.53	56.00	7.52	7°42'04"

**RADIAL TABLE**

LINE	BEARING
R1	S60°27'46"E
R2	N57°08'54"E
R3	N00°45'48"W
R4	N00°08'38"E
R5	N57°33'30"W
R6	S58°37'27"W



PREPARED BY:



7690 N. PALM #104  
FRESNO, CALIFORNIA 93711  
PHONE: (559) 449-4500