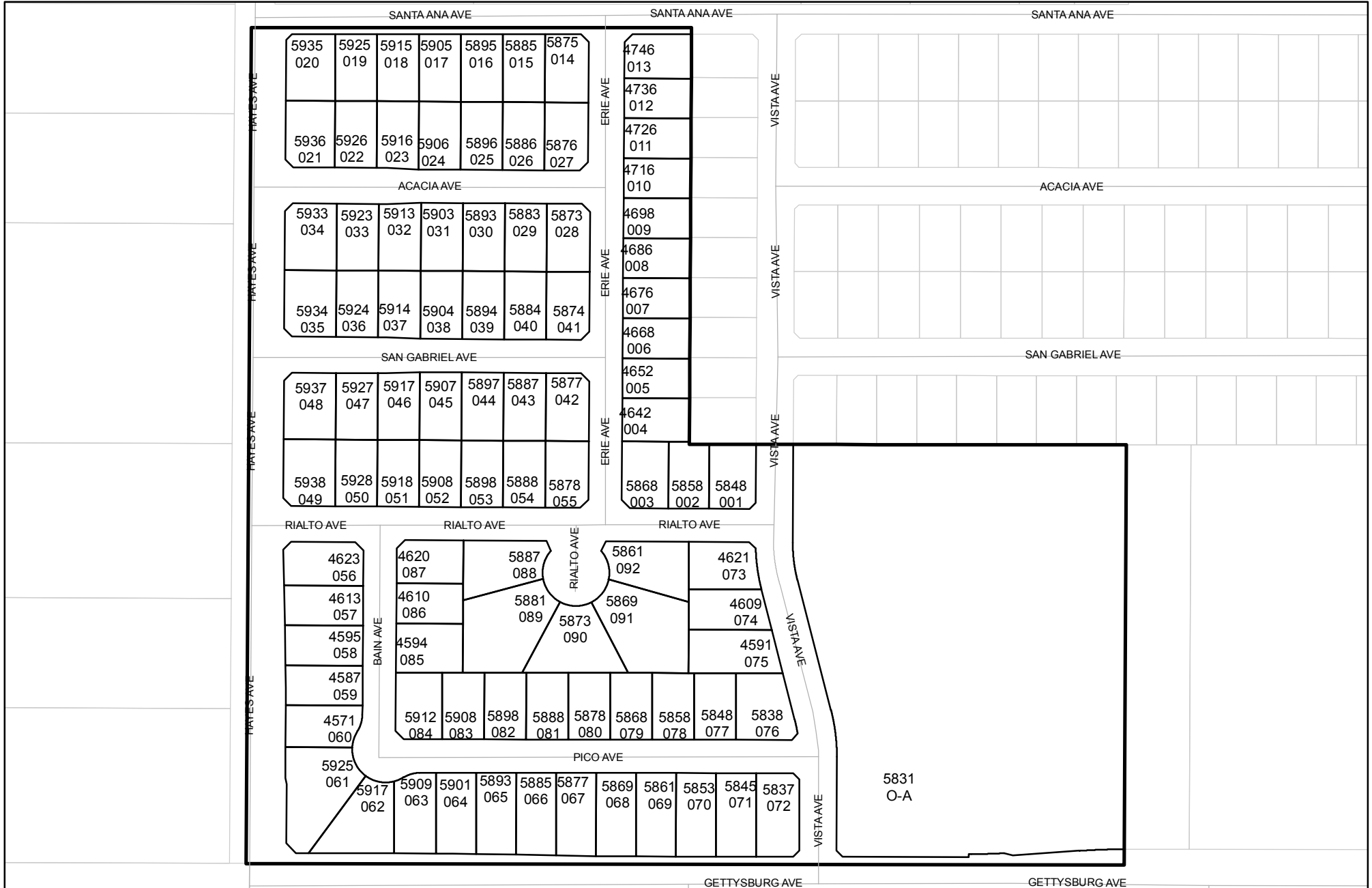




Prepared on Fri Jul 28 23:45:29 2017

# Street Names, Addresses and (Lot Numbers) for T5134



# MAP OF TRACT NO. 5134

IN THE CITY OF FRESNO  
FRESNO COUNTY, CALIFORNIA  
SURVEYED AND PLATTED IN MARCH, 2003  
BY INGELS - BRAUN & ASSOCIATES

CONSISTING OF 3 SHEETS  
SHEET 2 OF 3 SHEETS

SEE SHEET THREE FOR CURVE,  
LINE AND RADIAL TABLES

SCALE 1" = 100'

### BASIS OF BEARINGS

THE SOUTH LINE OF THE NORTHEAST QUARTER OF SECTION 15, T.13 S., R.19 E., M.D.B. & M. WAS TAKEN TO BE N89°55'30"W, (SAID LINE ALSO BEING THE CENTERLINE OF WEST GETTYSBURG AVENUE), PER TRACT NO. 4381, RECORDED IN VOLUME 54 OF PLATS AT PAGES 76 AND 77, FRESNO COUNTY RECORDS.

### LEGEND

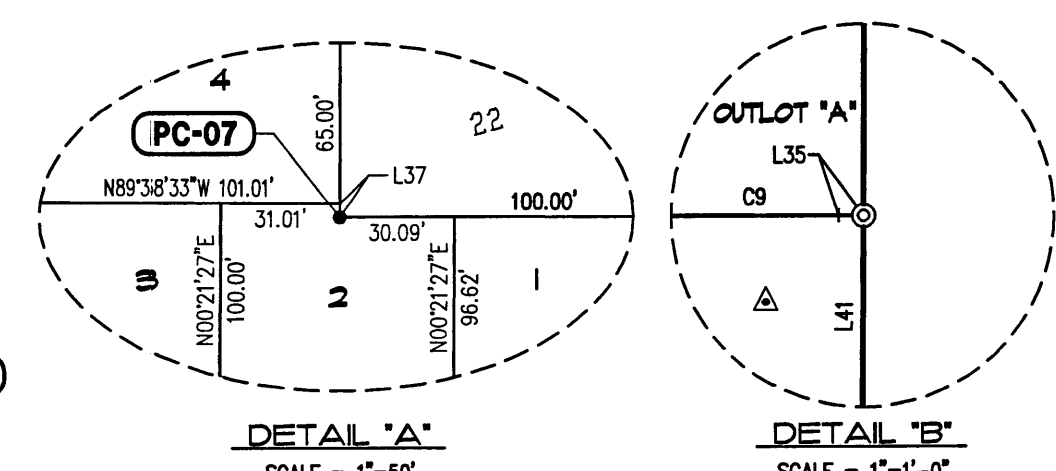
- EXISTING MONUMENT FOUND AND ACCEPTED OR AS NOTED.
- ⊙ SET 1" O.D. IRON PIPE, 30" LONG, UP 4", IN 6" x 30" CONCRETE MONUMENT, DOWN 6" AND TAGGED PLS 6619.
- ⊙ FOUND DURABLE CONCRETE MONUMENT
- (...) RECORD DATA PER TRACT NO. 4339, RECORDED IN VOLUME 58 OF PLATS AT PAGES 87 AND 88, FRESNO COUNTY RECORDS.
- [...] RECORD DATA PER TRACT NO. 4830, RECORDED IN VOLUME 61 OF PLATS AT PAGES 53 AND 54, FRESNO COUNTY RECORDS.
- < ... > RECORD DATA PER TRACT NO. 4381, RECORDED IN VOLUME 54 OF PLATS AT PAGES 76 AND 77, FRESNO COUNTY RECORDS.
- << ... >> RECORD DATA PER PARCEL MAP NO. 2782, RECORDED IN BOOK 18 OF PARCEL MAPS AT PAGE 50, FRESNO COUNTY RECORDS.
- F.C.R. FRESNO COUNTY RECORDS
- LE LANDSCAPE EASEMENT NOW OFFERED FOR DEDICATION FOR PUBLIC USE.
- O.R.F.C. OFFICIAL RECORDS FRESNO COUNTY
- T.F. TIES ON FILE WITH FRESNO COUNTY SURVEYOR
- PE PEDESTRIAN EASEMENT NOW OFFERED FOR DEDICATION FOR PUBLIC USE.
- PUE PUBLIC UTILITY EASEMENT NOW OFFERED FOR DEDICATION FOR PUBLIC USE.
- (R) DENOTES RADIAL BEARING
- ▲▲▲▲ INDICATES RELINQUISHMENT OF DIRECT ACCESS RIGHTS.
- ▲ INDICATES PORTIONS NOW OFFERED FOR DEDICATION FOR PUBLIC STREET AND UTILITY PURPOSES
- BLUE BORDER INDICATES THE LIMITS OF THIS SUBDIVISION.

### NOTES

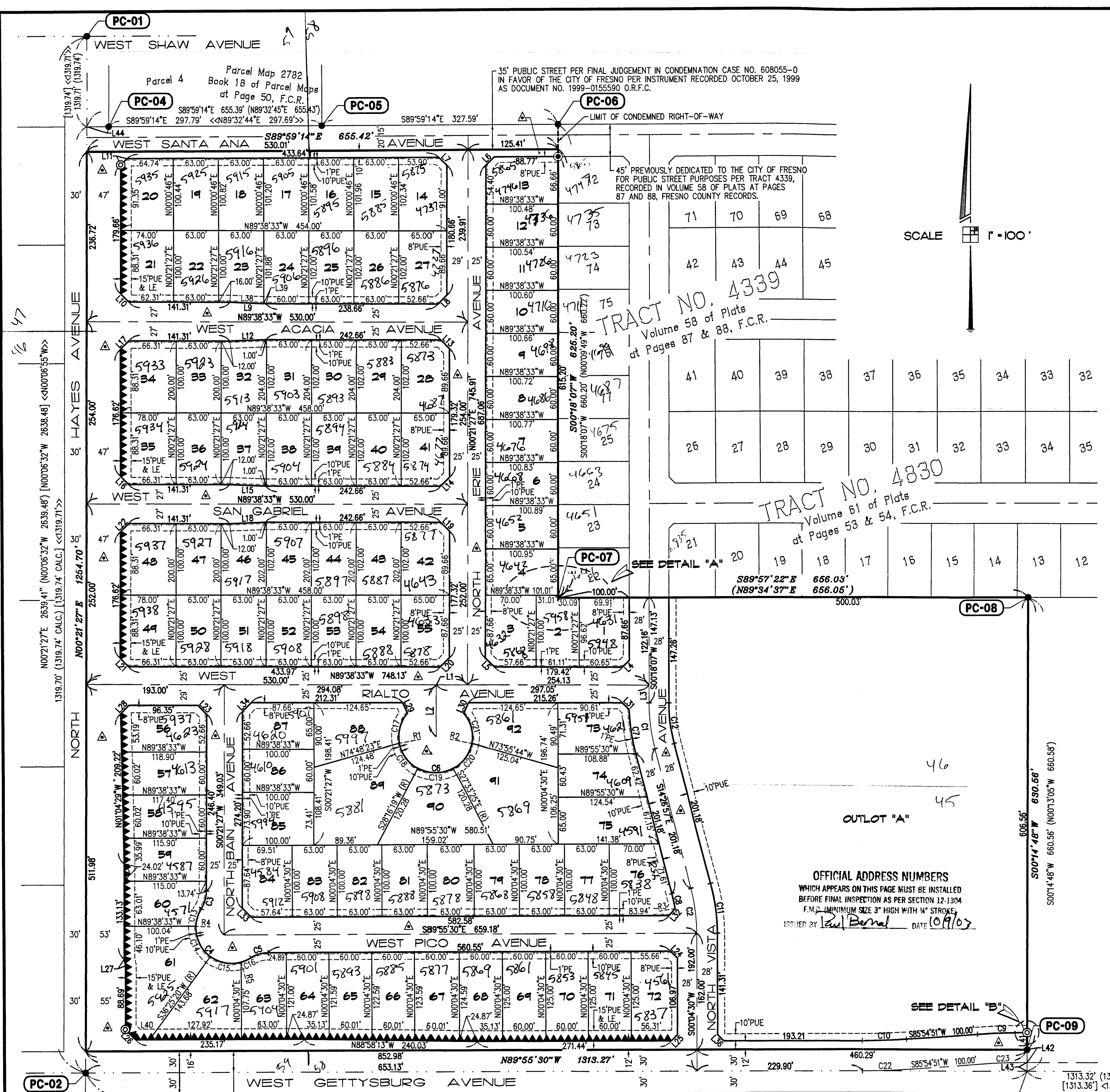
1. 1" O.D. x 30" LONG IRON PIPE TO BE SET 6" DOWN AND TAGGED PLS-6619, AT ALL LOT CORNERS, ANGLE POINTS, BEGINNING OF CURVES AND END OF CURVES, OR AS NOTED WITHIN THE TIME SPECIFIED IN THE SUBDIVISION AGREEMENT FOR THIS TRACT.
2. OUTLOT "A" FOR PROPOSED PUBLIC PARK PURPOSES
3. LOTS 4, 75 & 85 ARE DESIGNATED AS "KEY LOTS" REQUIRING A 10-FOOT SIDEYARD SETBACK.

### MONUMENTS AND PROPERTY CORNERS

- PC-01** NORTHWEST CORNER OF SEC. 15, T13S, R19E, MDB&M, FOUND AND ACCEPTED FRESNO COUNTY BRASS CAP MONUMENT, 4" BELOW SURFACE IN MONUMENT WELL. T.F.
- PC-02** SOUTHWEST CORNER OF THE NORTHWEST CORNER OF SEC. 15, T13S, R19E, MDB&M, FOUND AND ACCEPTED 3/4" IRON PIPE DOWN 10", TAGGED LS 5277. T.F.
- PC-03** SOUTHWEST CORNER OF THE NORTHWEST CORNER OF SEC. 15, T13S, R19E, MDB&M, FOUND AND ACCEPTED 3/4" IRON PIPE FLUSH, TAGGED RCE 12406. T.F.
- PC-04** SOUTHWEST CORNER OF PARCEL 4 OF PARCEL MAP NO. 2782 RECORDED IN BOOK 18 OF PARCEL MAPS AT PAGE 50, FOR, ALSO BEING ON THE NORTH LINE OF THE SOUTHWEST QUARTER OF THE NORTHWEST QUARTER SEC. 15, T13S, R19E, MDB&M, FOUND AND ACCEPTED 1" IRON PIPE, FLUSH, TAGGED RCE 12406.
- PC-05** SOUTHWEST CORNER OF PARCEL 4 OF PARCEL MAP NO. 2782 RECORDED IN BOOK 18 OF PARCEL MAPS AT PAGE 50, FOR, ALSO BEING ON THE NORTH LINE OF THE SOUTHWEST QUARTER OF THE NORTHWEST QUARTER SEC. 15, T13S, R19E, MDB&M, FOUND AND ACCEPTED 1" IRON PIPE, FLUSH, TAGGED RCE 12406.
- PC-06** NORTHWEST CORNER OF THE NORTHEAST QUARTER OF THE SOUTHWEST QUARTER OF THE NORTHWEST QUARTER OF SEC. 15, T13S, R19E, MDB&M, FOUND AND ACCEPTED 1" IRON PIPE, DOWN 6", TAGGED RCE 12406.
- PC-07** SOUTHWEST CORNER OF LOT 22, TRACT 4830, ALSO BEING THE SOUTHWEST CORNER OF THE NORTHEAST QUARTER OF THE SOUTHWEST QUARTER OF THE NORTHWEST QUARTER OF SEC. 15, T13S, R19E, MDB&M, FOUND AND ACCEPTED 1" IRON PIPE, DOWN 6", TAGGED RCE 12406.
- PC-08** NORTHEAST CORNER OF THE SOUTHWEST QUARTER OF THE SOUTHWEST QUARTER OF THE NORTHWEST QUARTER OF SEC. 15, T13S, R19E, MDB&M, FOUND AND ACCEPTED 1" IRON PIPE, DOWN 6", TAGGED LS 3766.
- PC-09** FOUND AND ACCEPTED 1" IRON PIPE, UP 2", TAGGED LS 3766, ON THE EAST LINE OF THE SOUTHWEST QUARTER OF THE SOUTHWEST QUARTER OF THE NORTHWEST QUARTER OF SEC. 15, T13S, R19E, MDB&M, SAID CORNER BEING 30.00 FEET NORTH OF THE SOUTHWEST CORNER OF THE SOUTHWEST QUARTER OF THE SOUTHWEST QUARTER OF THE NORTHWEST QUARTER OF SEC. 15, T13S, R19E, MDB&M.



| REVISIONS     |
|---------------|
| 09/02/03 * RE |



OFFICIAL ADDRESS NUMBERS  
WHICH APPEARS ON THIS PAGE MUST BE INSTALLED  
BEFORE FINAL INSPECTION AS PER SECTION 12-1304  
F.M.S. MINIMUM SIZE 3" HIGH WITH 1/4" STROKE.  
ISSUED BY *Paul Bernel* DATE 10/9/03

TRACT NO. 4339  
Volume 58 of Plats  
at Pages 87 & 88, F.C.R.

TRACT NO. 4830  
Volume 61 of Plats  
at Pages 53 & 54, F.C.R.

Parcel Map 2782  
Book 18 of Parcel Maps  
at Page 50, F.C.R.  
S89°59'14"E 655.39' (N89°32'45"E 655.43')  
S89°59'14"E 297.79' <<N89°32'44"E 297.69'>>

35' PUBLIC STREET PER FINAL JUDGEMENT IN CONDEMNATION CASE NO. 608055-0  
IN FAVOR OF THE CITY OF FRESNO PER INSTRUMENT RECORDED OCTOBER 25, 1999  
AS DOCUMENT NO. 1999-0155590 O.R.F.C.

45' PREVIOUSLY DEDICATED TO THE CITY OF FRESNO  
FOR PUBLIC STREET PURPOSES PER TRACT 4339,  
RECORDED IN VOLUME 58 OF PLATS AT PAGES  
87 AND 88, FRESNO COUNTY RECORDS.

N00°21'27"E 2639.41' (N00°06'32"W 2639.48') [N00°06'32"W 2638.48'] <<N00°06'55"W>>  
1319.70' (1319.74' CALC.) [1319.74' CALC.] <<1319.71'>>

30' PREVIOUSLY DEEDED TO THE CITY OF FRESNO FOR PUBLIC  
1313.33' (1313.36') [1313.36'] <1313.36'>