



Prepared on Wed Jun 13 22:28:08 2018

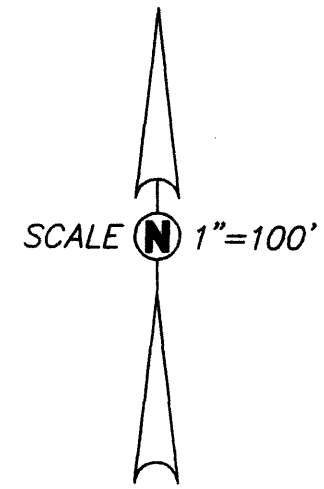
Street Names, Addresses and (Lot Numbers) for T4983



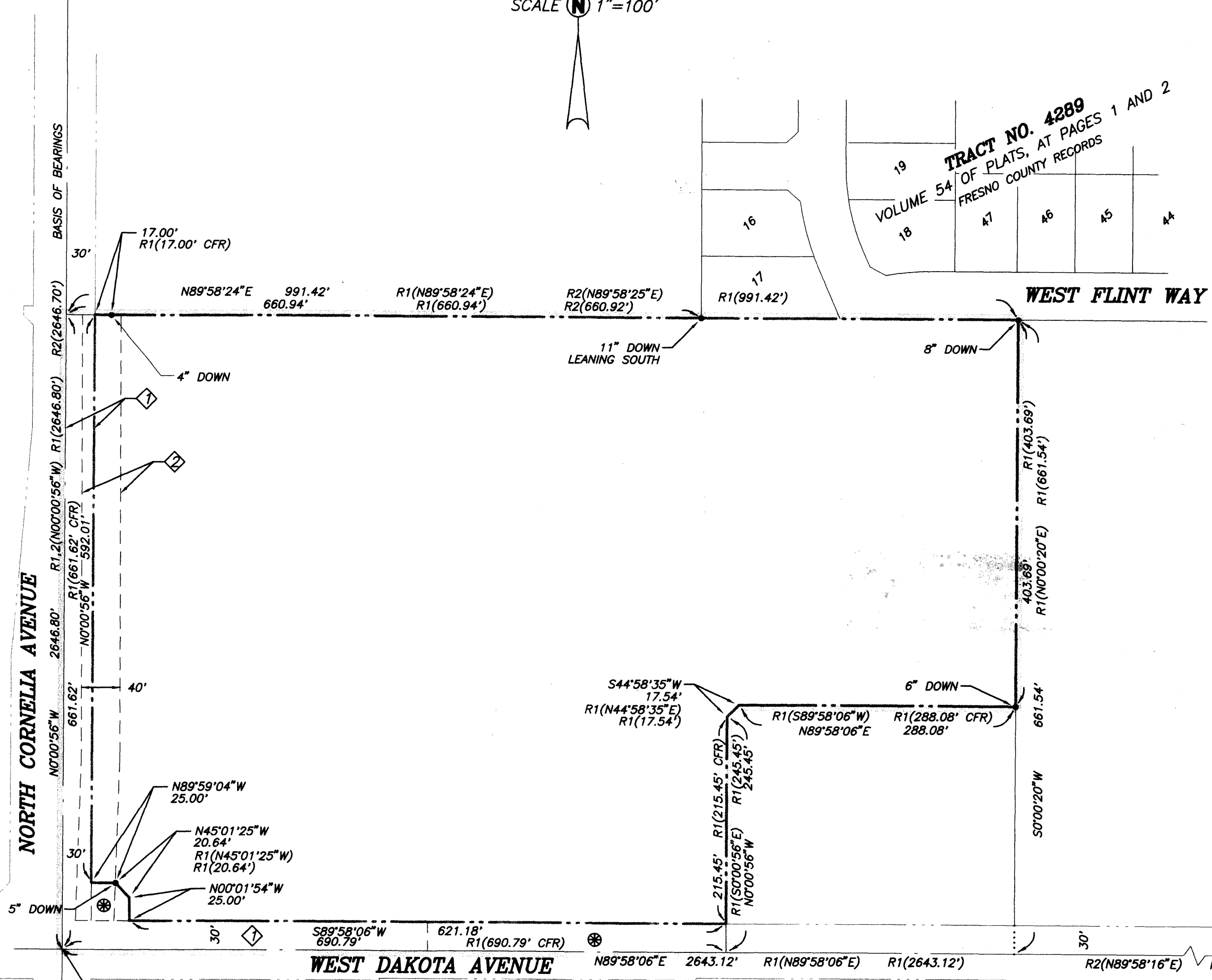
REVERSION TO ACREAGE FOR THE FINAL MAP OF TRACT NO. 4983

Sheet Two of Two Sheets
IN
CITY OF FRESNO
FRESNO COUNTY, CALIFORNIA

CITY OF FRESNO
2600 FRESNO STREET
FRESNO, CALIFORNIA 93721
(559) 621-2489



NORTHWEST CORNER OF SECTION 23,
T.13 S., R.19 E., M.D.B. & M.
FOUND TWO 3 FOOT TIES,
CORNER FALLS ON MANHOLE
CORNER RECORD NO. 6119



LEGEND

- INDICATES TRACT BOUNDARY LINE
- INDICATES CENTERLINE/SECTION LINE
- INDICATES RIGHT-OF-WAY
- - - INDICATES EASEMENT LIMITS
- BLUE BORDER INDICATES THE LIMIT OF THIS SUBDIVISION
- M.D.B. & M. MOUNT DIABLO BASE & MERIDIAN
- ◇ INDICATES EASEMENT FOR PUBLIC STREET PURPOSES GRANTED TO THE CITY OF FRESNO PER THE DOCUMENT RECORDED MAY 13, 1992, AS DOCUMENT NO. 92064381 AND 92064382, O.R.F.C.
- ◇ INDICATES EASEMENT FOR PUBLIC UTILITIES GRANTED TO PACIFIC GAS AND ELECTRIC COMPANY, A CALIFORNIA CORPORATION RECORDED SEPTEMBER 24, 1992, AS DOCUMENT NO. 92145298, O.R.F.C.
- ⊗ INDICATES AREA OFFERED FOR DEDICATION FOR PUBLIC STREET PURPOSES AS SHOWN IN FINAL MAP OF TRACT NO. 4983 TO REMAINED
- R1 () INDICATES RECORD DATA PER TRACT NO. 4983, RECORDED IN VOLUME 74 OF PLATS, AT PAGES 23 AND 24, FRESNO COUNTY RECORDS.
- R2 () INDICATES RECORD DATA PER TRACT NO. 4289, RECORDED IN VOLUME 54 OF PLATS, AT PAGES 1 AND 2, FRESNO COUNTY RECORDS.
- CFR INDICATES DATA CALCULATED FROM RECORDS AS REFERENCED
- FOUND 3/4" IRON PIPE, IN CONCRETE, TAGGED RCE 19789, UNLESS NOTED OTHERWISE

WEST QUARTER CORNER OF SECTION 23,
T.13 S., R.19 E., M.D.B. & M.
FOUND TAG RCE 23828 EPOXIED
ON MANHOLE CONCRETE COLLAR
CORNER RECORD NO. 5398

CENTER QUARTER CORNER OF SECTION 23,
T.13 S., R.19 E., M.D.B. & M.
FOUND CUTS ON MANHOLE RIM
CORNER RECORD NO. 4023

BASIS OF BEARINGS

THE WEST LINE OF THE NORTHWEST QUARTER OF SECTION 23, TOWNSHIP 13 SOUTH, RANGE 19 EAST, MOUNT DIABLO BASE AND MERIDIAN, WAS TAKEN TO BEAR NORTH 00°00'56" WEST, AS SHOWN ON THE MAP OF TRACT NO. 4289, RECORDED IN VOLUME 54 OF PLATS AT PAGES 1 AND 2, FRESNO COUNTY RECORDS.

NOTE:

THOSE PORTIONS OFFERED FOR DEDICATION FOR PUBLIC STREET PURPOSES AS SHOWN ON FINAL MAP OF TRACT NO. 4983, ACCORDING TO THE MAP THEREOF RECORDED IN VOLUME 74 OF PLATS, AT PAGES 23 AND 24, FRESNO COUNTY RECORD, WHICH ARE NOT DELINEATED ON THIS MAP ARE DEEMED ABANDONED PURSUANT TO SECTION 66499.20 1/2 OF THE SUBDIVISION MAP ACT.

FINAL MAP OF TRACT No. 4983

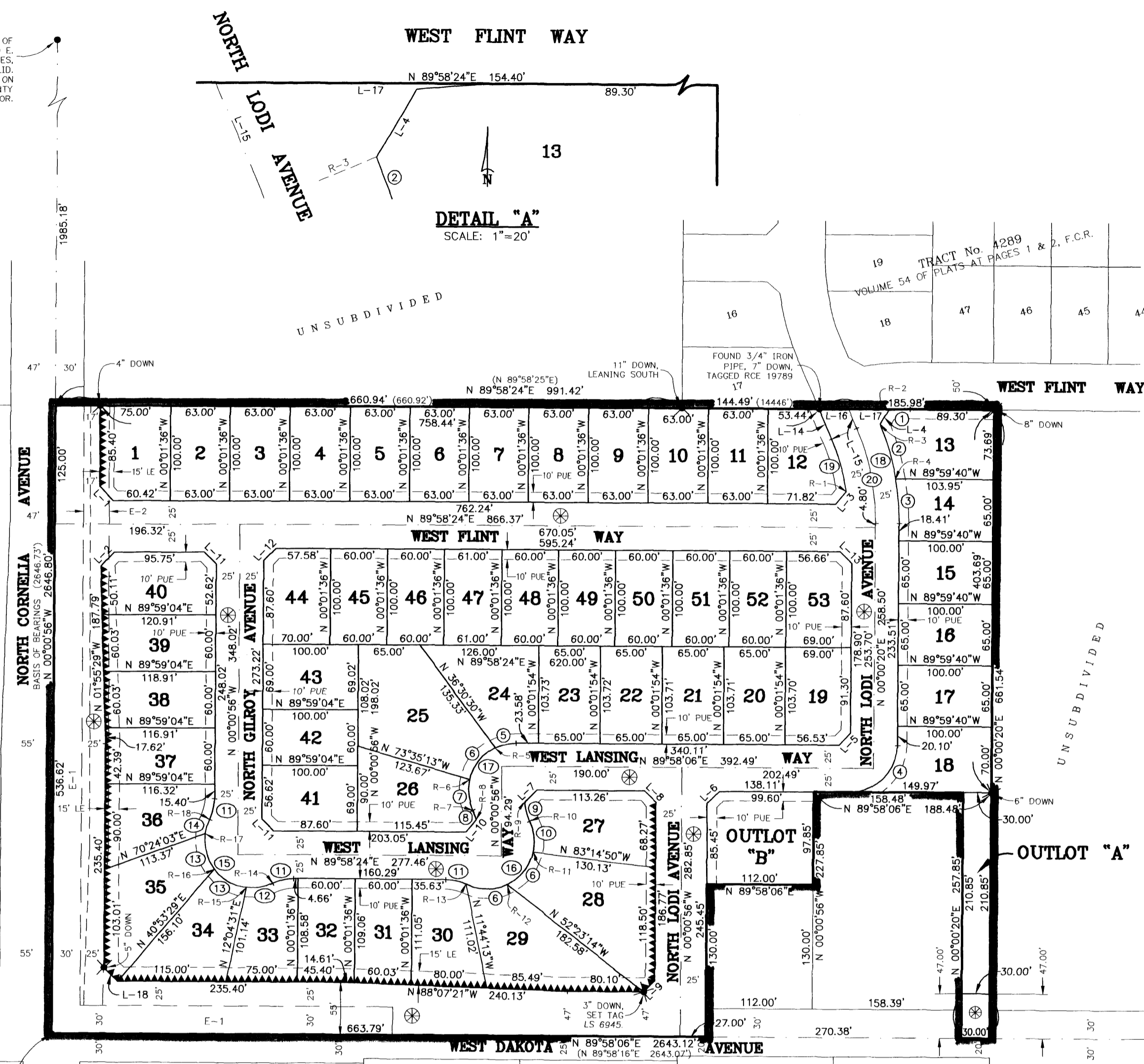
IN THE CITY OF FRESNO, FRESNO COUNTY, CALIFORNIA
 SURVEYED AND PLATTED BY R. W. GREENWOOD ASSOCIATES, INC.
 CIVIL ENGINEERING - LAND SURVEYING, 2558 EAST OLIVE AVENUE, FRESNO, CALIFORNIA, 93701, PHONE (559) 268-7831

SHEET TWO OF TWO SHEETS

NORTHWEST CORNER OF SECTION 23, T. 13 S., R. 19 E. FOUND TWO 3 FT. TIES, CORNER FALLS ON MH. LID, CORNER RECORD No. 6119 ON FILE WITH THE FRESNO COUNTY SURVEYOR.

PARCEL "B"
 PARCEL MAP No. 84-74
 BOOK 43 OF PARCEL MAPS AT PAGES 67 & 68, F.C.R.

DETAIL "A"
 SCALE: 1"=20'



LEGEND

- MONUMENTS FOUND AND ACCEPTED, AS NOTED.
- E-1 INDICATES EASEMENT FOR PUBLIC STREET PURPOSES GRANTED TO THE CITY OF FRESNO PER THE DOCUMENT RECORDED MAY 13, 1992, AS DOCUMENT No. 92064381 AND 92064382, O.R.F.C.
- E-2 INDICATES EASEMENT FOR PUBLIC UTILITIES GRANTED TO PACIFIC GAS AND ELECTRIC COMPANY, A CALIFORNIA CORPORATION RECORDED SEPTEMBER 24, 1992, AS DOCUMENT No. 92145298, O.R.F.C.
- PUE INDICATES PUBLIC UTILITY EASEMENT NOW OFFERED FOR DEDICATION.
- LE INDICATES LANDSCAPE EASEMENT (AND IRRIGATION SYSTEM) NOW OFFERED FOR DEDICATION.
- ⊗ INDICATES AREA NOW OFFERED FOR DEDICATION FOR PUBLIC STREET PURPOSES.
- ▲▲▲▲▲ INDICATES RELINQUISHMENT OF DIRECT ACCESS RIGHTS.
- () INDICATES RECORD DATA PER TRACT No. 4289, RECORDED IN VOLUME 54 OF PLATS AT PAGES 1 & 2, F.C.R.
- ⊗ FOUND 3/4" IRON PIPE, IN CONCRETE, TAGGED RCE 19789, UNLESS NOTED OTHERWISE.
- THE BLUE BORDER INDICATES THE LIMITS OF THIS SUBDIVISION.

SET 3/4" IRON PIPE, 30" LONG, 8" DOWN, TAGGED LS 6945 AT ALL LOT CORNERS AND AT THE BEGINNING AND END OF ALL CURVES.

CENTER 1/4 CORNER OF SECTION 23, T. 13 S., R. 19 E. FOUND CLTS ON MH. RIM, CORNER RECORD No. 4023 ON FILE WITH THE FRESNO COUNTY SURVEYOR.

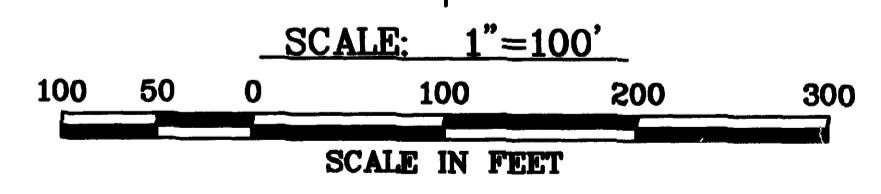
PARCEL "A"
 PARCEL MAP No. 2498
 BOOK 17 OF PARCEL MAPS AT PAGE 84, F.C.R.
 PARCEL "B"

WEST 1/4 CORNER OF SECTION 23, T. 13 S., R. 19 E. FOUND TAG RCE 23828 GUEID ON CONCRETE MANHOLE COLLAR, CORNER RECORD No. 5398 ON FILE WITH THE FRESNO COUNTY SURVEYOR.

CURVE TABLE					
No.	Radius	Delta	Length	Tangent	Chord
1.	225.00	05°50'00"	22.91'	11.46'	22.90'
2.	277.00	12°22'08"	60.60'	30.42'	60.48'
3.	277.00	09°40'54"	48.61'	23.46'	48.75'
4.	50.00	89°57'46"	78.51'	49.97'	70.69'
5.	50.00	26°03'42"	22.74'	11.57'	22.55'
6.	50.00	51°34'00"	45.00'	24.15'	43.50'
7.	50.00	38°11'51"	33.33'	17.31'	32.72'
8.	50.00	11°43'51"	10.24'	5.14'	10.22'
9.	50.00	24°00'07"	20.95'	10.63'	20.79'
10.	50.00	38°32'22"	33.63'	17.49'	33.00'
11.	50.00	25°50'31"	22.65'	11.47'	22.36'
12.	50.00	32°12'44"	28.11'	14.44'	27.74'
13.	50.00	45°50'15"	40.00'	21.14'	38.94'
14.	50.00	17°48'28"	15.54'	7.83'	15.48'
15.	50.00	14°41'42"	123.65'	143.96'	94.46'
16.	50.00	14°40'22"	123.63'	143.87'	94.46'
17.	50.00	115°48'53"	101.08'	79.75'	84.72'
18.	277.00	22°13'02"	107.41'	54.39'	106.74'
19.	223.00	14°51'18"	57.82'	29.07'	57.66'
20.	252.00	23°20'28"	102.66'	52.05'	101.95'

LINE TABLE		
LINE	Bearing	Dist.
L-1	N 45°01'16" W	20.65'
L-2	N 44°01'27" E	20.76'
L-3	N 41°04'17" E	16.89'
L-4	N 30°25'36" E	16.59'
L-5	N 44°59'13" E	17.54'
L-6	N 44°58'35" E	17.54'
L-7	N 44°58'35" E	17.42'
L-8	N 45°01'25" W	17.53'
L-9	N 44°58'35" E	16.53'
L-10	N 39°08'52" E	16.64'
L-11	N 45°01'16" W	17.53'
L-12	N 44°58'44" E	17.54'
L-13	N 45°00'38" W	17.53'
L-14	N 23°20'08" W	34.65'
L-15	N 23°20'08" W	22.15'
L-16	N 89°58'24" E	31.58'
L-17	N 89°58'24" E	65.10'
L-18	N 45°01'25" W	20.64'

RADIAL TABLE	
No.	Radial
R-1	N 81°31'10" E
R-2	N 05°51'36" W
R-3	N 67°47'18" E
R-4	N 80°19'58" E
R-5	N 26°05'36" W
R-6	N 77°39'36" W
R-7	S 64°08'33" W
R-8	N 75°52'24" E
R-9	S 88°08'40" W
R-10	N 64°08'33" E
R-11	S 77°19'05" E
R-12	N 25°45'05" E
R-13	S 25°48'55" W
R-14	S 25°52'07" E
R-15	S 06°20'37" W
R-16	S 52°10'52" W
R-17	N 81°58'53" W
R-18	N 64°10'25" W



BASIS OF BEARINGS

THE WEST LINE OF THE NORTHWEST QUARTER OF SECTION 23, TOWNSHIP 13 SOUTH, RANGE 19 EAST, MOUNT DIABLO BASE AND MERIDIAN, WAS TAKEN TO BEAR N 00°00'56" W AS SHOWN ON THE MAP OF TRACT No. 4289, RECORDED IN VOLUME 54 OF PLATS AT PAGES 1 AND 2, FRESNO COUNTY RE.

NOTE: OUTLOT "A" AND OUTLOT "B" TO BE DEEDED TO THE ADJOINING PROPERTY FOR FUTURE DEVELOPMENT.

REV. 11/16/05 SF
 REV. 09-08-2005 RNM
 REV. 06-15-04 NFF
 REV. 10-05-2001 RNM
 REVISED SEPTEMBER 7, 2001, GP
 REVISED JUNE 12, 2001, GP
 REV. 04-06-2001 RNM
 PLOT VIEW: PLOT-FINAL-2
 ACAD File: \MAPS\00156F\DWG
 FIELD BOOK: 198, PAGE 1, RA/gp
 GREENWOOD'S I.D. No. D-00156
 DRAWING No. 4245-0