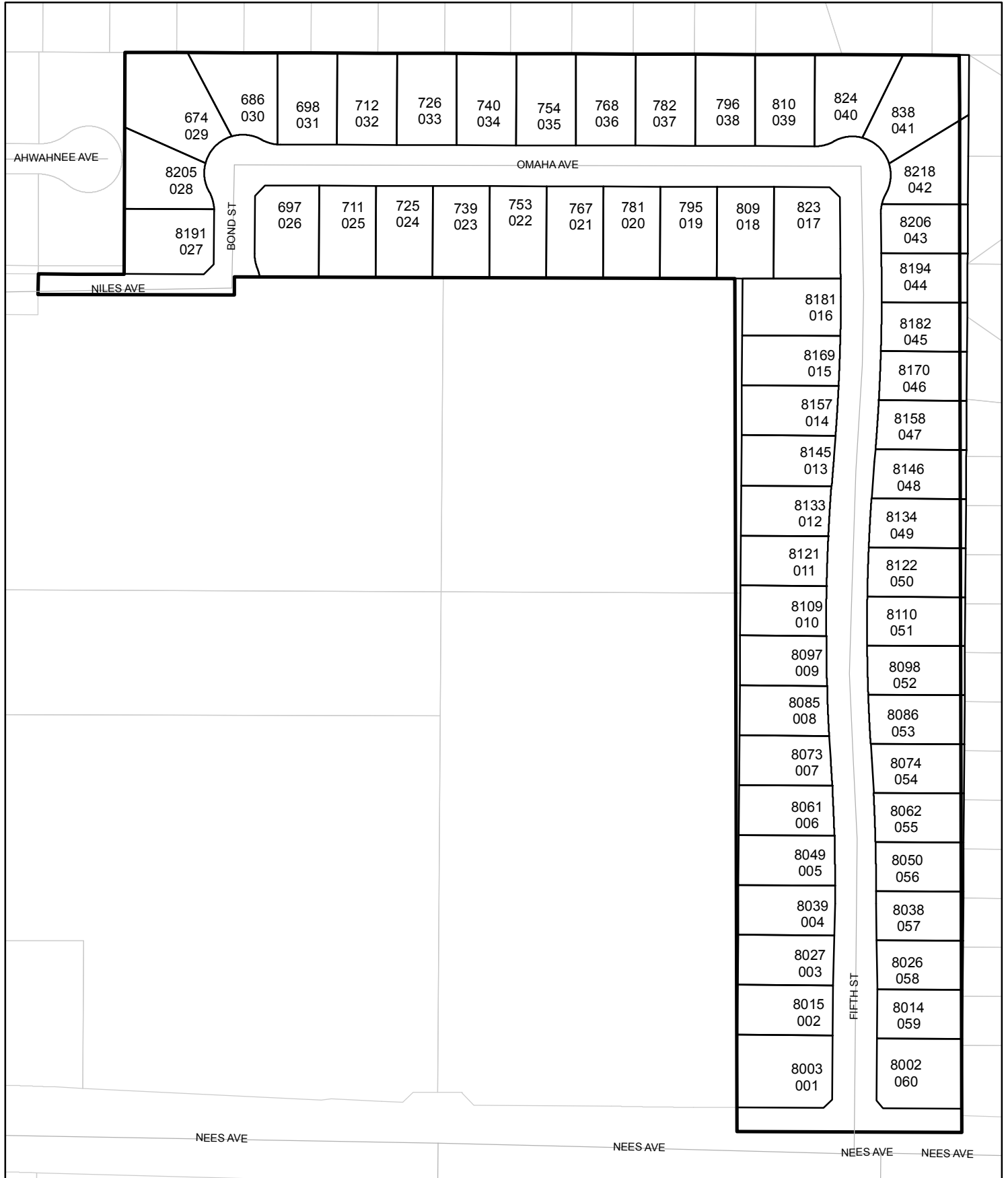




Street Names, Addresses and (Lot Numbers) for T4931

Prepared on Wed Jun 13 22:31:25 2018



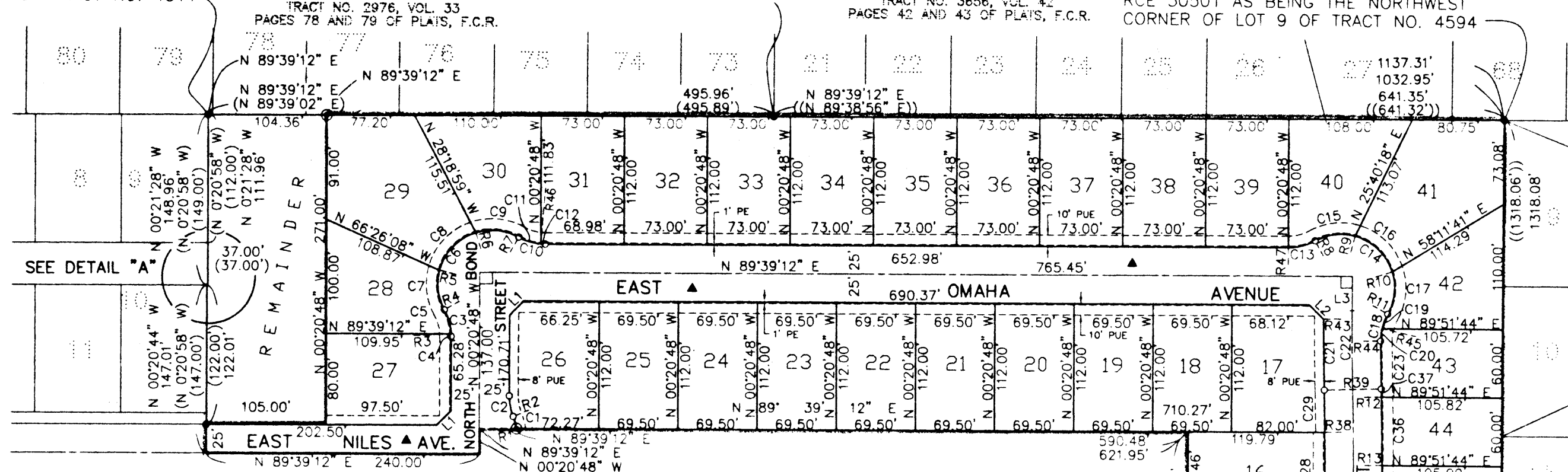
TRACT NO. 4931

PHASE I OF TENTATIVE TRACT NO. 4931
 IN THE CITY OF FRESNO, COUNTY OF FRESNO, STATE OF CALIFORNIA
 SURVEYED AND PLATTED IN JANUARY 2000, BY GARY G. GAINNETTA
SHEET TWO OF TWO SHEETS

3/4" IRON PIPE, 6" DOWN, TAGGED
 RCE 26996 AS BEING THE NORTHEAST
 CORNER OF LOT 9 OF TRACT NO. 4511

3/4" IRON PIPE, 18" DOWN, TAG NOT LEGIBLE
 AS BEING THE SOUTHEAST CORNER OF LOT 73
 OF TRACT NO. 2976, ALSO POSITION FOR THE NORTHEAST
 CORNER OF LOT 123 OF PERRIN COLONY NO. 2

3/4" IRON PIPE, 18" DOWN, TAGGED
 RCE 30501 AS BEING THE NORTHWEST
 CORNER OF LOT 9 OF TRACT NO. 4594



LEGEND:

- MONUMENT FOUND AND ACCEPTED AS NOTED
- SET 3/4" IRON PIPE, 30" LONG, 6" DOWN BELOW GROUND, TAGGED RCE 26996
- ⊙ SET 3/4" IRON PIPE, 30" LONG, 4" UP IN 6" DIAMETER x 30" P.C.C. MONUMENT, DOWN 6" BELOW GROUND, TAGGED RCE 26996
- ▲ NOW OFFERED FOR DEDICATION FOR PUBLIC STREET PURPOSES
- ▲▲▲▲ INDICATES RELINQUISHMENT OF DIRECT ACCESS RIGHTS
- () RECORD DATA AS PER TRACT NO. 4511, RECORDED IN VOLUME 57, PAGES 5 AND 6 OF PLATS, FRESNO COUNTY RECORDS
- (()) RECORD DATA AS PER TRACT NO. 4594, RECORDED IN VOLUME 57, PAGES 18 AND 19 OF PLATS, FRESNO COUNTY RECORDS
- F.I.D.E. FRESNO IRRIGATION DISTRICT PIPELINE EASEMENT
- PE PEDESTRIAN EASEMENT NOW OFFERED FOR DEDICATION FOR PUBLIC USE
- LE LANDSCAPE EASEMENT NOW OFFERED FOR DEDICATION FOR PUBLIC USE
- PUE PUBLIC UTILITY EASEMENT NOW OFFERED FOR DEDICATION FOR PUBLIC USE
- BLUE BORDER INDICATES THE LIMITS OF THIS SUBDIVISION
- (R) DENOTES RADIAL BEARING TO CURVE

SCALE: 1" = 100'

NOTE:

1. SET 3/4" IRON PIPE, 6" DOWN, TAGGED RCE 26996 AT ALL LOT CORNERS

BASIS OF BEARINGS:

THE SOUTH LINE OF THE SOUTHEAST QUARTER OF SECTION 27, TOWNSHIP 12 SOUTH, RANGE 20 EAST, MOUNT DIABLO BASE AND MERIDIAN TAKEN AS BEARING N 89°47'00" E AS PER TRACT NO. 4511 RECORDED IN VOLUME 57, PAGES 5 AND 6 OF PLATS, FRESNO COUNTY RECORDS.

1/2" STEEL ROD, UP 1/2", NOT TAGGED AS BEING THE SOUTHEAST CORNER OF SECTION 27, T 12 S, R 20 E, M.D.B. & M., CONFIRMED WITH TIES ON FILE WITH FRESNO COUNTY SURVEYOR CORNER RECORD NO. 5444

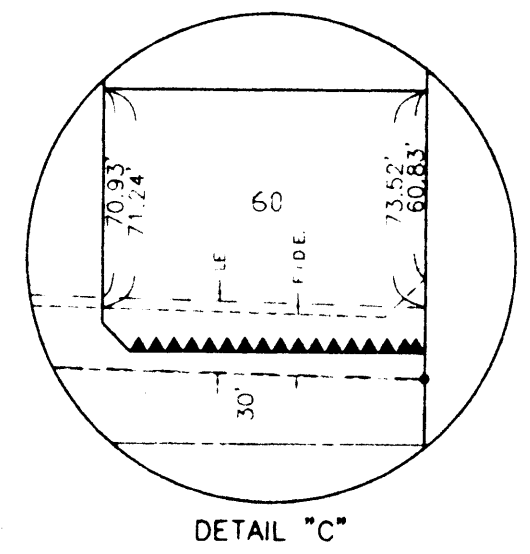
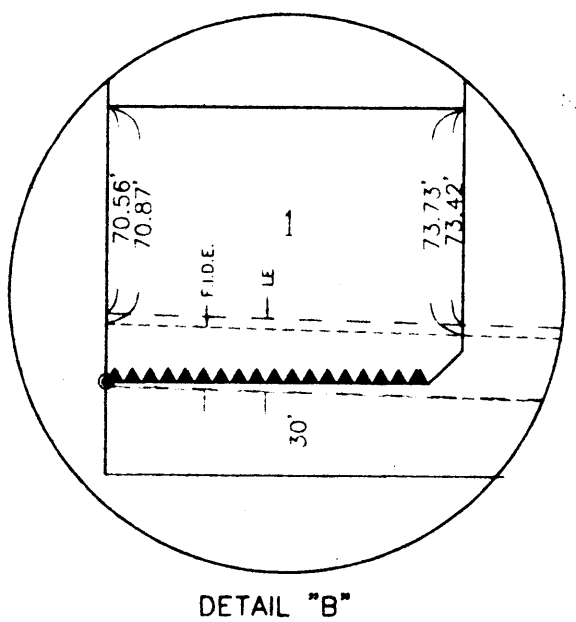
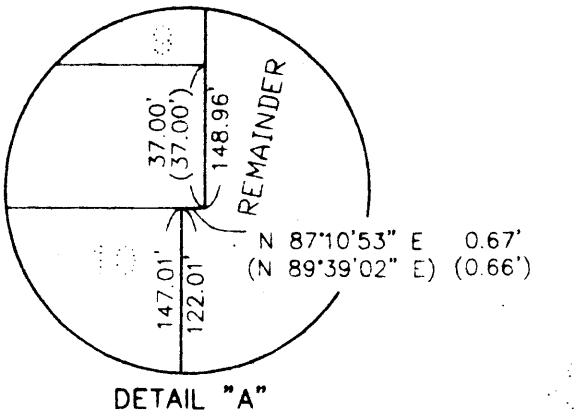
3/4" IRON PIPE, 6" DOWN, TAGGED RCE 30501, AS BEING THE SOUTHWEST CORNER OF LOT 30 OF TRACT NO. 4594

CURVE	RADIUS	LENGTH	TANGENT	DELTA
C1	47.00'	11.13'	5.59'	13°34'02"
C2	48.00'	18.54'	9.39'	22°07'57"
C3	48.00'	24.39'	12.46'	29°06'37"
C4	48.00'	2.22'	1.11'	2°38'39"
C5	48.00'	22.18'	11.29'	26°27'58"
C6	47.00'	121.59'	165.11'	148°13'15"
C7	47.00'	35.88'	18.87'	43°44'38"
C8	47.00'	48.00'	26.33'	58°30'53"
C9	47.00'	37.70'	19.93'	45°57'44"
C10	48.00'	24.39'	12.46'	29°06'37"
C11	48.00'	20.37'	10.34'	24°18'36"
C12	48.00'	4.02'	2.01'	04°48'01"
C13	48.00'	24.39'	12.46'	29°06'37"
C14	47.00'	121.61'	165.26'	148°14'58"
C15	47.00'	36.21'	19.05'	44°08'14"
C16	47.00'	47.00'	25.68'	57°17'45"
C17	47.00'	38.40'	20.35'	46°48'59"
C18	48.00'	24.77'	12.67'	29°34'11"
C19	48.00'	13.76'	6.93'	16°25'42"
C20	48.00'	11.01'	5.53'	13°08'29"
C21	2425.00'	62.44'	31.22'	01°28'31"
C22	2400.00'	69.29'	34.65'	01°39'15"
C23	2375.00'	42.06'	21.03'	01°00'52"
C24	2375.00'	256.38'	128.31'	06°11'06"
C25	2375.00'	27.28'	13.64'	00°39'30"
C26	2375.00'	61.09'	30.55'	01°28'26"
C27	2375.00'	61.03'	30.52'	01°28'20"
C28	2375.00'	69.90'	34.95'	01°41'10"
C29	2375.00'	37.08'	18.54'	00°53'40"
C30	2400.00'	259.08'	129.66'	06°11'06"
C31	2425.00'	261.78'	131.01'	06°11'06"
C32	2425.00'	14.58'	7.29'	00°20'40"
C33	2425.00'	60.11'	30.06'	01°25'13"
C34	2425.00'	60.04'	30.02'	01°25'07"
C35	2425.00'	60.01'	30.00'	01°25'04"
C36	2425.00'	60.01'	30.01'	01°25'04"
C37	2425.00'	7.03'	3.52'	00°09'58"
C38	2425.00'	370.28'	185.50'	08°44'55"
C39	2425.00'	30.39'	15.20'	00°43'05"
C40	2425.00'	61.08'	30.54'	01°26'35"
C41	2425.00'	61.02'	30.51'	01°26'30"
C42	2425.00'	61.01'	30.50'	01°26'29"
C43	2425.00'	61.02'	30.51'	01°26'31"
C44	2425.00'	61.08'	30.54'	01°26'35"
C45	2425.00'	34.68'	17.34'	00°49'10"
C46	2400.00'	366.46'	183.59'	08°44'55"
C47	2375.00'	362.64'	181.67'	08°44'55"
C48	2375.00'	16.87'	8.44'	00°24'25"
C49	2375.00'	60.09'	30.05'	01°26'59"
C50	2375.00'	60.03'	30.01'	01°26'53"
C51	2375.00'	60.00'	30.00'	01°26'51"
C52	2375.00'	60.01'	30.01'	01°26'52"
C53	2375.00'	60.07'	30.04'	01°26'57"
C54	2375.00'	45.57'	22.79'	01°05'58"
C55	2375.00'	174.83'	87.46'	04°13'04"
C56	2375.00'	22.00'	11.00'	00°31'51"
C57	2375.00'	61.01'	30.51'	01°28'19"
C58	2375.00'	61.07'	30.54'	01°28'24"
C59	2375.00'	30.74'	15.37'	00°44'30"
C60	2400.00'	176.67'	88.38'	04°13'04"
C61	2425.00'	178.51'	89.30'	04°13'04"
C62	2425.00'	15.18'	7.59'	00°21'31"
C63	2425.00'	60.02'	30.01'	01°25'05"
C64	2425.00'	60.05'	30.03'	01°25'08"
C65	2425.00'	43.26'	21.63'	01°01'20"

RADIAL	DIRECTION
R1	N 81°05'17" E
R2	N 67°31'15" E
R3	N 87°00'33" E
R4	N 60°32'35" E
R5	N 75°42'48" W
R6	N 17°11'54" W
R7	N 28°45'49" E
R8	N 29°27'25" W
R9	N 14°40'49" E
R10	N 71°58'34" E
R11	N 61°12'28" W
R12	N 88°22'27" E
R13	N 89°47'31" E
R14	S 88°47'25" E
R15	S 87°27'18" E
R16	S 85°57'05" E
R17	N 86°42'23" W
R18	N 88°09'20" W
R19	N 89°36'12" W
R20	S 88°56'57" W
R21	S 87°30'04" W
R22	S 86°03'05" W
R23	N 86°40'00" E
R24	N 88°05'08" E
R25	N 89°30'13" E
R26	N 89°19'53" E
R27	N 87°51'34" E
R28	N 86°23'10" E
R29	S 86°21'45" W
R30	S 87°48'20" W
R31	S 89°14'50" W
R32	N 89°18'41" W
R33	N 87°52'10" W
R34	N 86°25'35" W
R35	S 86°15'55" E
R36	S 87°44'20" E
R37	S 89°12'41" E
R38	N 89°06'09" E
R39	N 88°12'29" E
R40	N 85°36'25" W
R41	N 85°38'40" E
R42	N 89°51'44" E
R43	S 89°41'00" W
R44	S 89°13'21" W
R45	N 77°38'10" W
R46	S 04°27'13" W
R47	S 00°20'48" E

LINE	DIRECTION	DISTANCE
L1	N 44°39'12" E	17.68'
L2	N 45°15'28" W	17.65'
L3	N 00°08'16" W	30.02'
L4	N 45°34'06" E	15.21'
L5	N 44°25'54" W	12.84'

BASIS OF BEARINGS
 EAST
 N 89°47'00" E
 N 89°47'00" E
 ((S 89°46'50" W))
 N 89°47'00" E
 N 89°47'00" E



3/4" IRON PIPE, 2" DOWN, TAGGED LS 5096 AS BEING THE SOUTH QUARTER CORNER OF SECTION 27, T 12 S, R 20 E, M.D.B. & M. CONFIRMED WITH TIES ON FILE WITH FRESNO COUNTY SURVEYOR CORNER RECORD NO. 5444

PREVIOUSLY DEEDED FOR F.I.D.E. PIPELINE PURPOSES PER DEED RECORDED AUGUST 12, 1980 AS DOCUMENT NO. 75361, O.R.F.C.