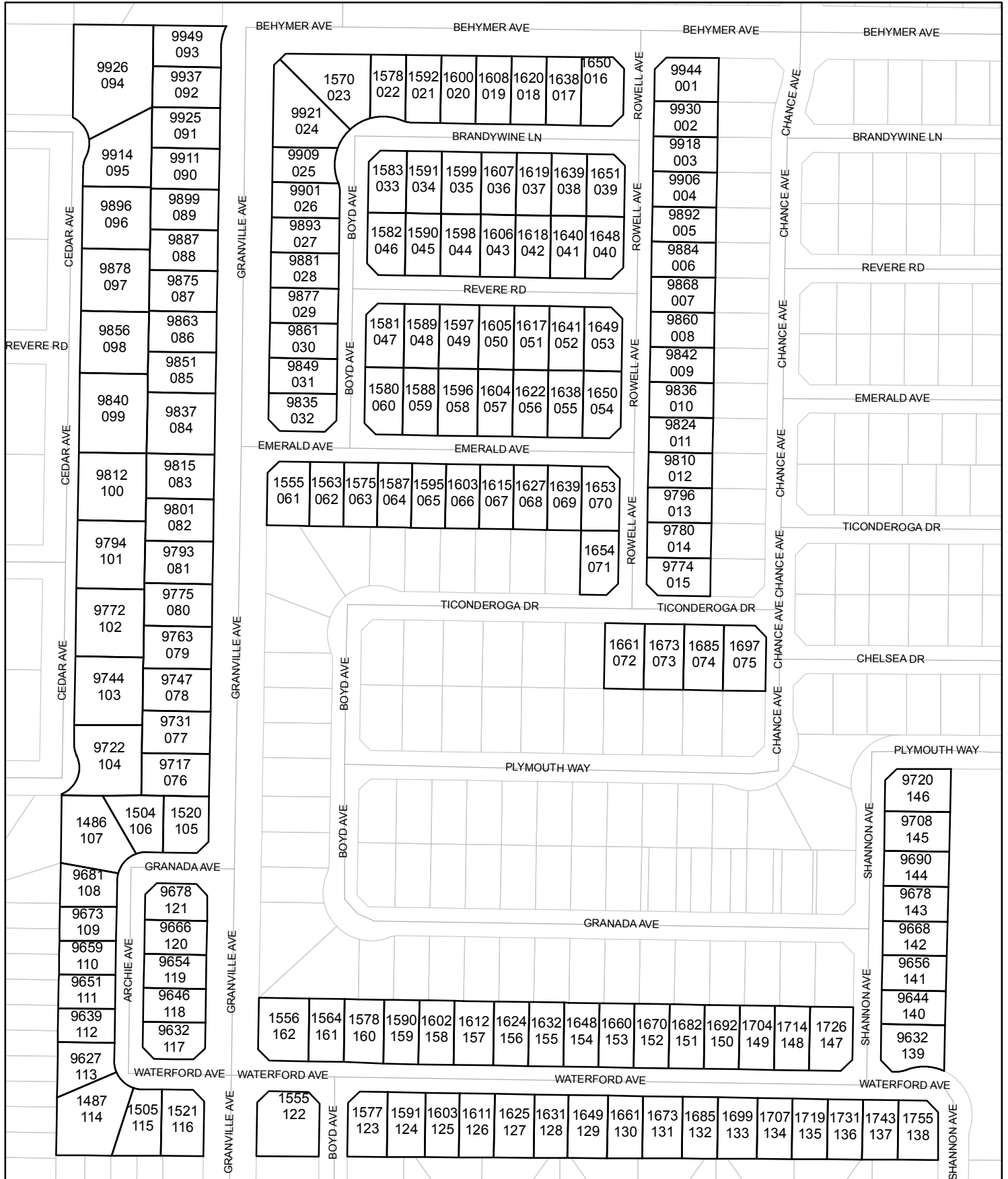




Street Names, Addresses and (Lot Numbers) for T4600

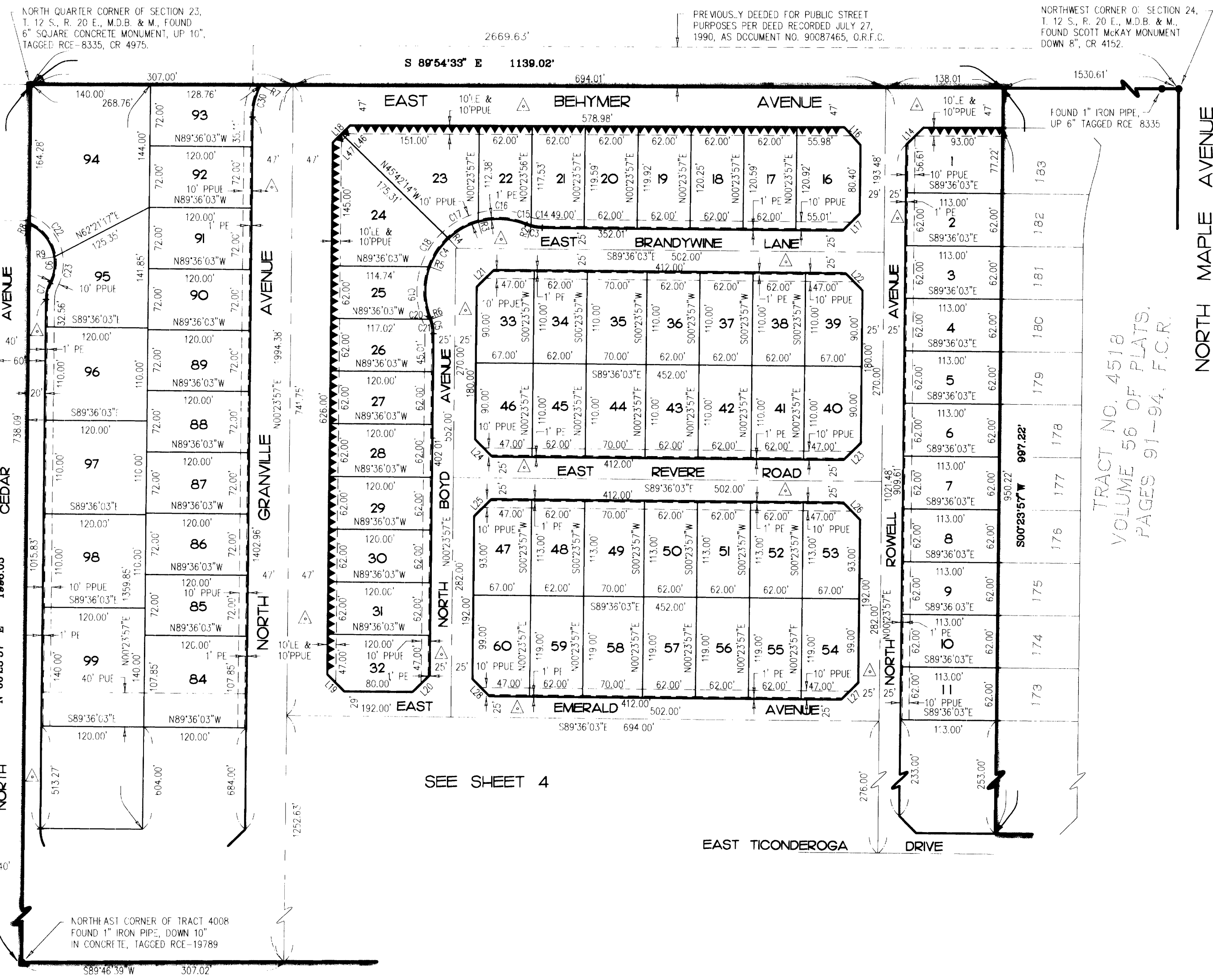
Prepared on Mon Oct 22 16:39:22 2018



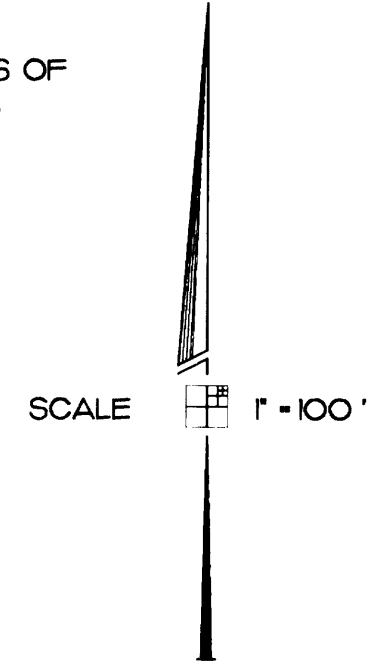
58

MAP OF TRACT NO. 4600

FRESNO COUNTY, CALIFORNIA
SURVEYED AND PLATTED IN FEBRUARY, 1992
BY EDWARD D. DUNKEL AND ASSOCIATES
CONSISTING OF FIVE SHEETS
SHEET 3 OF 5 SHEETS



NOTE:
SEE SHEET 2 FOR BASIS OF
BEARINGS AND LEGEND.



TRACT NO. 4518
VOLUME 56 OF PLATS,
PAGES 91-94, F.C.R.

LINE TABLE

LINE	DIRECTION	DISTANCE
L1	S89°36'03"E	76.00'
L2	S04°10'29"E	50.16'
L3	S44°36'34"E	28.28'
L4	N00°23'57"E	116.00'
L5	N89°36'03"W	45.00'
L6	N00°23'57"E	163.00'
L7	N00°23'57"E	93.00'
L8	N44°36'03"W	28.28'
L9	N00°23'57"E	50.00'
L10	N45°23'16"E	28.29'
L11	N00°23'57"E	163.12'
L13	N89°36'03"W	45.00'
L14	N45°14'42"E	28.36'
L15	N44°36'03"W	28.28'
L16	S42°01'12"E	28.21'
L17	S45°23'57"W	28.28'
L18	N45°14'42"E	28.36'
L19	N44°36'03"W	28.28'
L20	S45°23'57"W	28.28'
L21	N45°23'57"E	28.28'
L22	S44°36'03"E	28.28'
L23	N45°23'57"E	28.28'
L24	N44°36'03"W	28.28'
L25	N45°23'57"E	28.28'
L26	S44°36'03"E	28.28'
L27	S45°23'57"W	28.28'
L28	N44°36'03"W	28.28'
L29	N45°23'57"E	28.28'
L30	S44°36'03"E	28.28'
L31	S45°23'57"W	28.28'
L32	S45°23'57"W	28.28'
L33	S44°36'03"E	28.28'
L34	S45°23'57"W	28.28'
L35	N44°36'03"W	28.28'
L36	N45°23'57"E	28.28'
L37	S44°36'03"E	28.28'
L38	N45°23'57"E	28.28'
L39	S44°35'37"E	28.28'
L40	N45°23'57"E	28.28'
L41	N44°57'49"W	28.47'
L42	S44°35'59"E	28.28'
L43	S45°05'11"W	28.45'
L44	S45°23'57"W	28.28'
L45	N44°36'03"W	28.28'
L46	N45°14'42"E	14.08'
L47	N45°14'42"E	14.28'
L48	S89°36'03"E	6.87'

CURVE TABLE

CURVE	RADIUS	LENGTH	CHORD	DELTA
C1	50.00'	19.37'	19.25'	22°11'30"
C2	85.00'	165.52'	140.58'	111°34'12"
C3	50.00'	19.37'	19.25'	22°11'30"
C4	85.00'	199.36'	156.71'	134°23'00"
C5	50.00'	19.37'	19.25'	22°11'30"
C6	50.00'	81.11'	72.51'	92°56'46"
C7	45.00'	20.83'	20.65'	26°31'30"
C8	45.00'	20.83'	20.65'	26°31'31"
C9	50.00'	81.11'	72.51'	92°56'50"
C10	50.00'	78.54'	70.71'	90°00'00"
C11	50.00'	78.54'	70.71'	90°00'00"
C12	85.00'	68.08'	66.27'	45°53'19"
C13	50.00'	19.37'	19.24'	22°11'27"
C14	50.00'	13.15'	13.11'	5°03'48"
C15	50.00'	6.22'	6.22'	0°07'42"
C16	85.00'	57.26'	56.18'	38°35'43"
C17	85.00'	40.32'	39.95'	27°10'50"
C18	85.00'	40.33'	39.95'	27°10'58"
C19	85.00'	61.45'	60.12'	41°25'29"
C20	50.00'	2.03'	2.03'	0°29'36"
C21	50.00'	17.34'	17.25'	19°51'54"
C22	50.00'	50.00'	47.94'	57°17'45"
C23	50.00'	31.11'	30.61'	35°39'01"
C24	50.00'	17.47'	17.38'	20°00'51"
C25	50.00'	48.01'	46.19'	55°01'03"
C26	50.00'	13.06'	13.03'	4°58'06"
C27	50.00'	20.99'	20.84'	24°03'17"
C28	50.00'	42.53'	41.26'	48°44'22"
C29	50.00'	15.02'	14.96'	17°12'21"
C30	85.00'	38.92'	38.58'	26°14'10"

RADIAL TABLE

RADIAL	DIRECTION
R1	N68°03'07"E
R2	N15°27'44"E
R3	S16°00'16"E
R4	S43°11'06"E
R5	S70°22'04"E
R6	S70°32'03"W
R7	S63°21'53"E
R8	S23°58'40"W
R9	S81°16'25"W
R10	N23°10'45"W
R11	S19°36'54"E
R12	S74°37'58"E
R13	S24°05'49"W

PC# 4 - BARNES - 03/12/93
DUNKEL CADFILE: 91074FMI

REVISIONS
07/14/93-DB # 6
09/29/93-DH # 1
12/23/93-RB # 4
03/03/94-DH # 1
04/18/94-DH # 1

NORTH QUARTER CORNER OF SECTION 23, T. 12 S., R. 20 E., M.D.B. & M., FOUND 6" SQUARE CONCRETE MONUMENT, UP 10' TAGGED RCE 8335, CR 4975.

NORTHWEST CORNER OF SECTION 24, T. 12 S., R. 20 E., M.D.B. & M., FOUND SCOTT MCKAY MONUMENT DOWN 8", CR 4152.

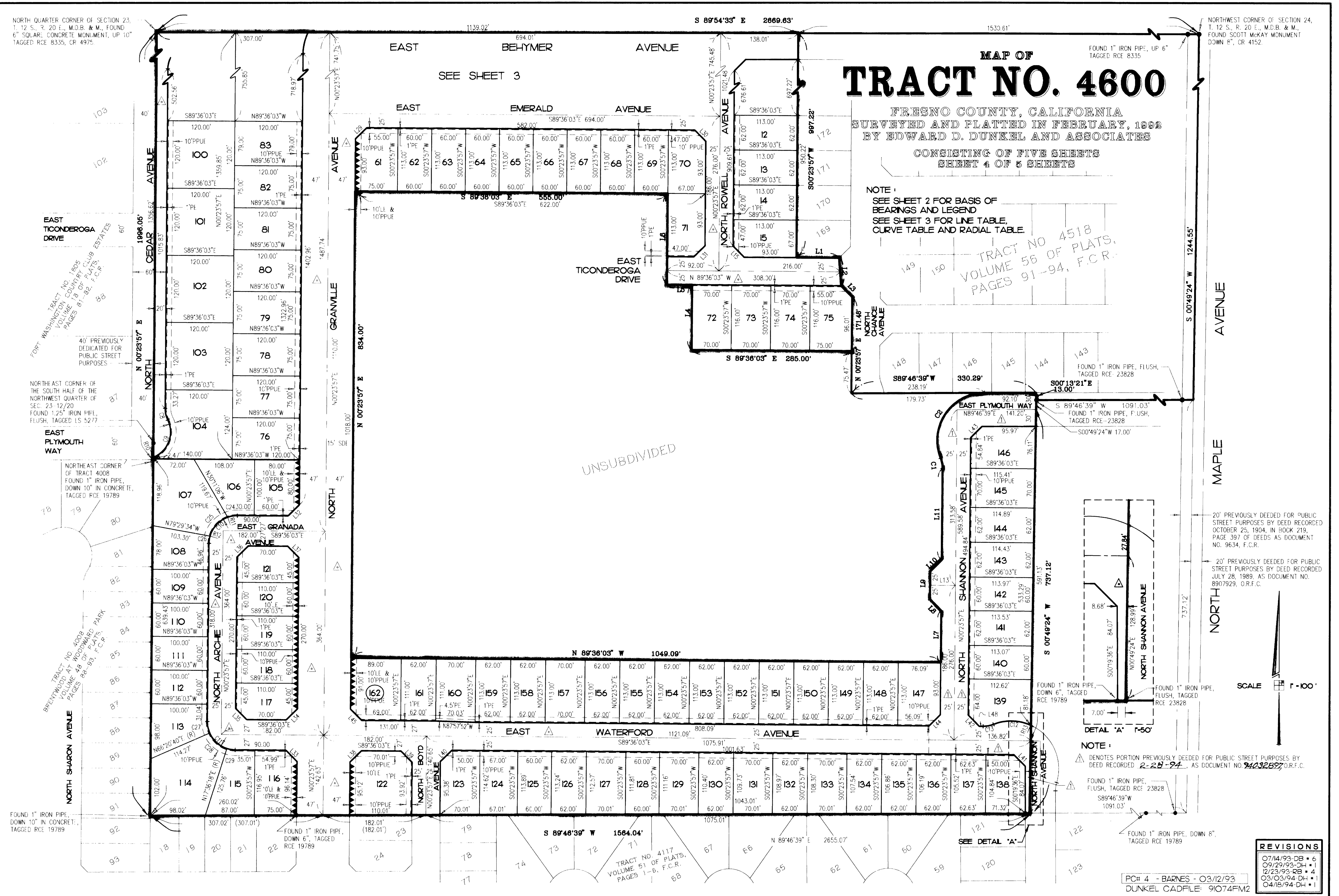
MAP OF TRACT NO. 4600

FRESNO COUNTY, CALIFORNIA
SURVEYED AND PLATTED IN FEBRUARY, 1992
BY EDWARD D. DUNKEL AND ASSOCIATES

CONSISTING OF FIVE SHEETS
SHEET 4 OF 5 SHEETS

NOTE:
SEE SHEET 2 FOR BASIS OF BEARINGS AND LEGEND
SEE SHEET 3 FOR LINE TABLE, CURVE TABLE AND RADIAL TABLE.

TRACT NO 4518
VOLUME 56 OF PLATS,
PAGES 91-94, F.C.R.

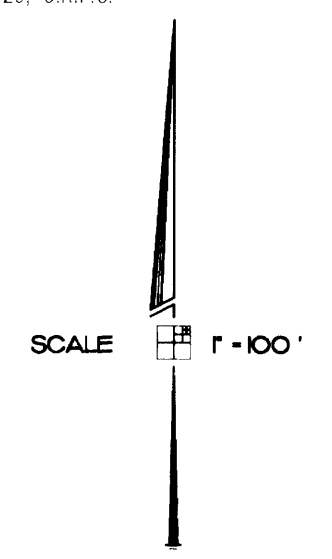


UNSUBDIVIDED

NOTE:
▲ DENOTES PORTION PREVIOUSLY DEEDED FOR PUBLIC STREET PURPOSES BY DEED RECORDED R-28-94, AS DOCUMENT NO. 94032897, O.R.F.C.

FOUND 1" IRON PIPE, FLUSH, TAGGED RCE 23828
S89°46'39" W 1091.03'

FOUND 1" IRON PIPE, DOWN 8", TAGGED RCE 19789



REVISIONS	
07/14/93-DB	• 6
09/29/93-DH	• 1
12/23/93-RB	• 4
03/03/94-DH	• 4
04/18/94-DH	• 1

PC# 4 - BARNES - 03/12/93
DUNKEL CADFILE: 91074FM2

FOUND 1" IRON PIPE, DOWN 10" IN CONCRETE, TAGGED RCE 19789

FOUND 1" IRON PIPE, DOWN 6", TAGGED RCE 19789

S 89°46'39" W 1564.04'

N 89°46'39" E 2655.07'

TRACT NO. 4117
VOLUME 51 OF PLATS,
PAGES 1-6, F.C.R.